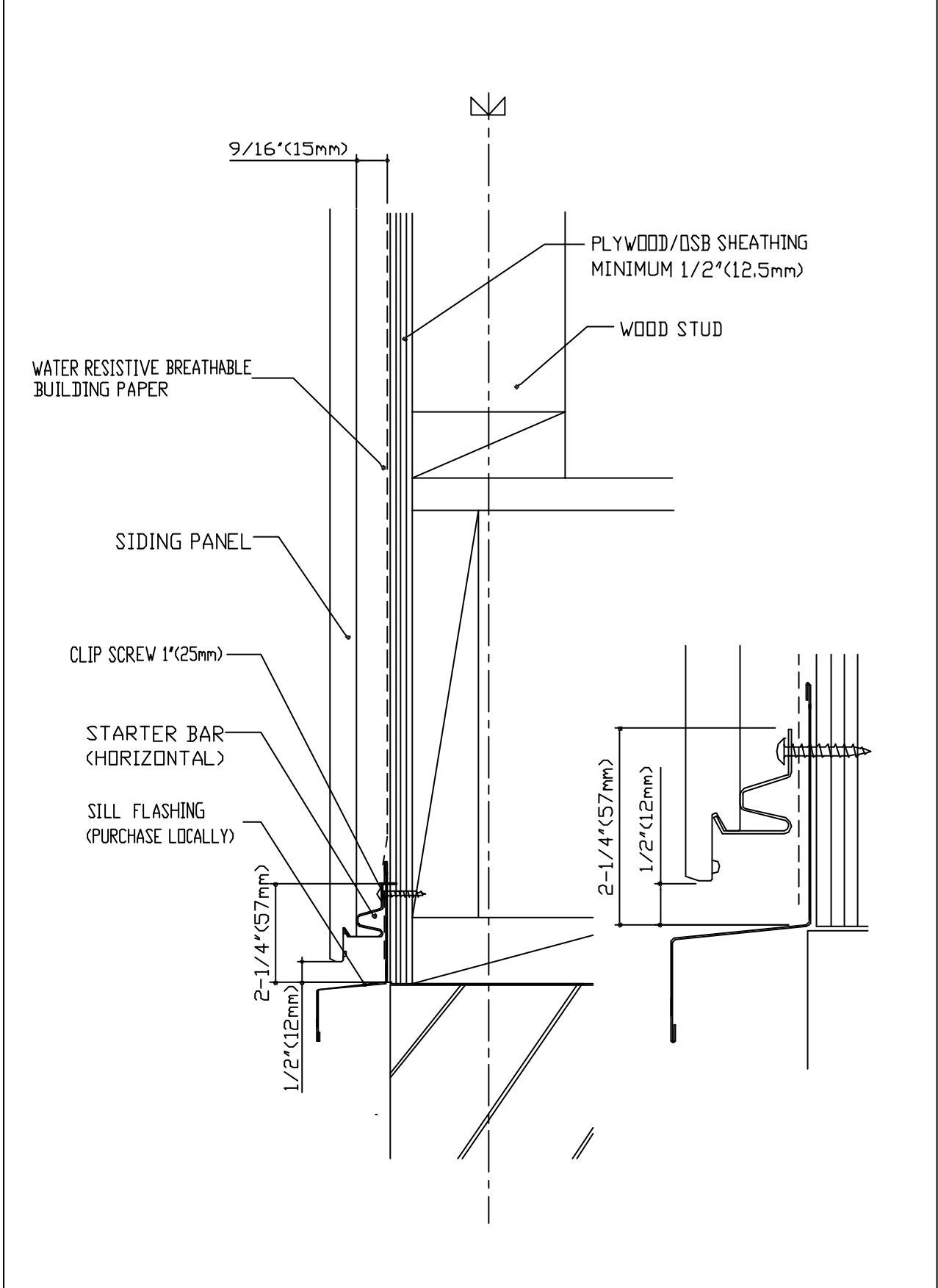
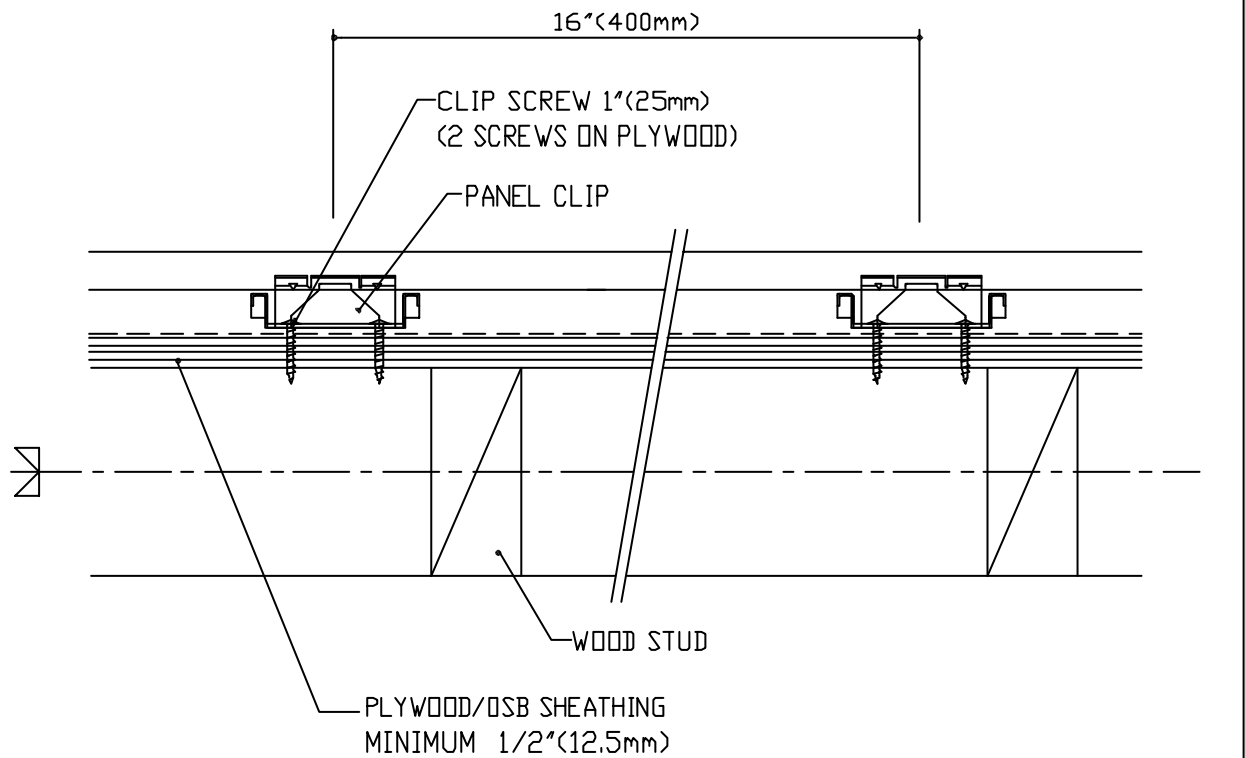
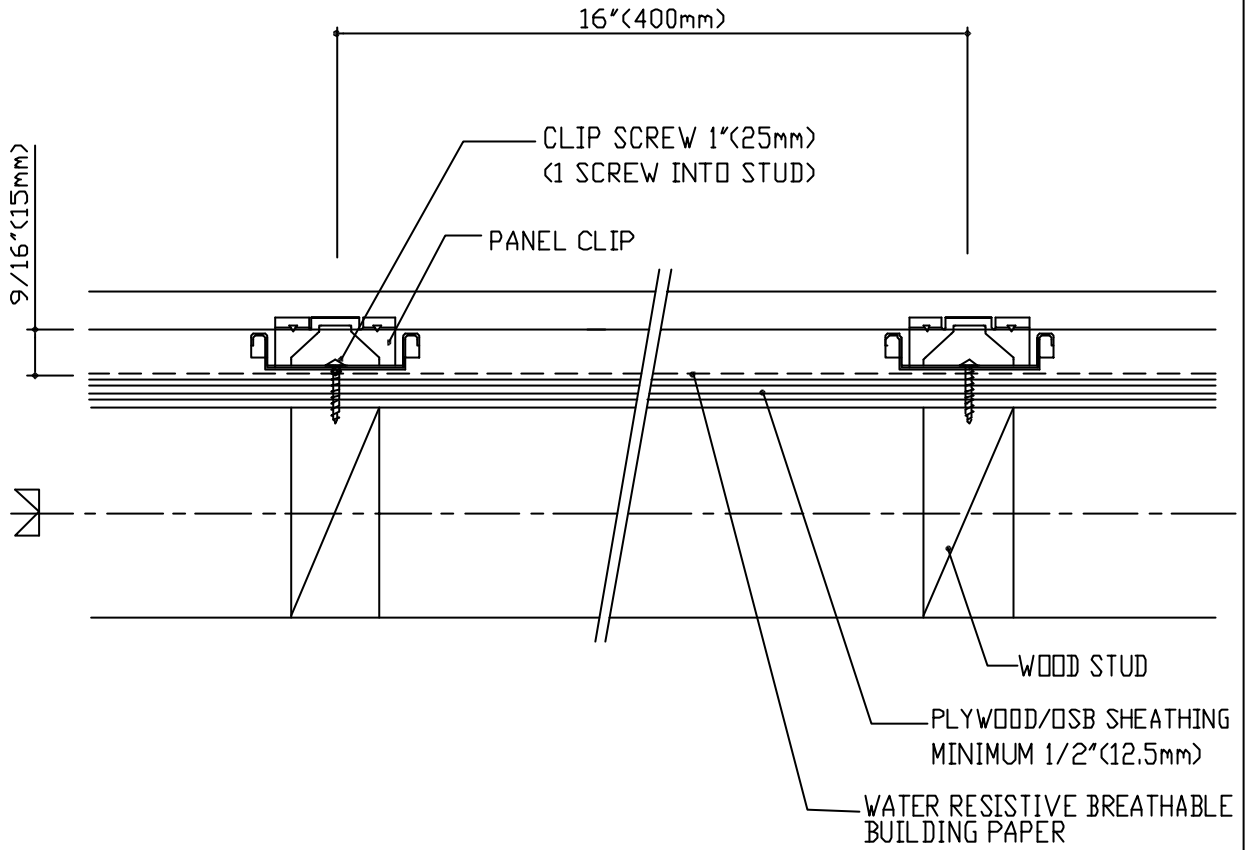


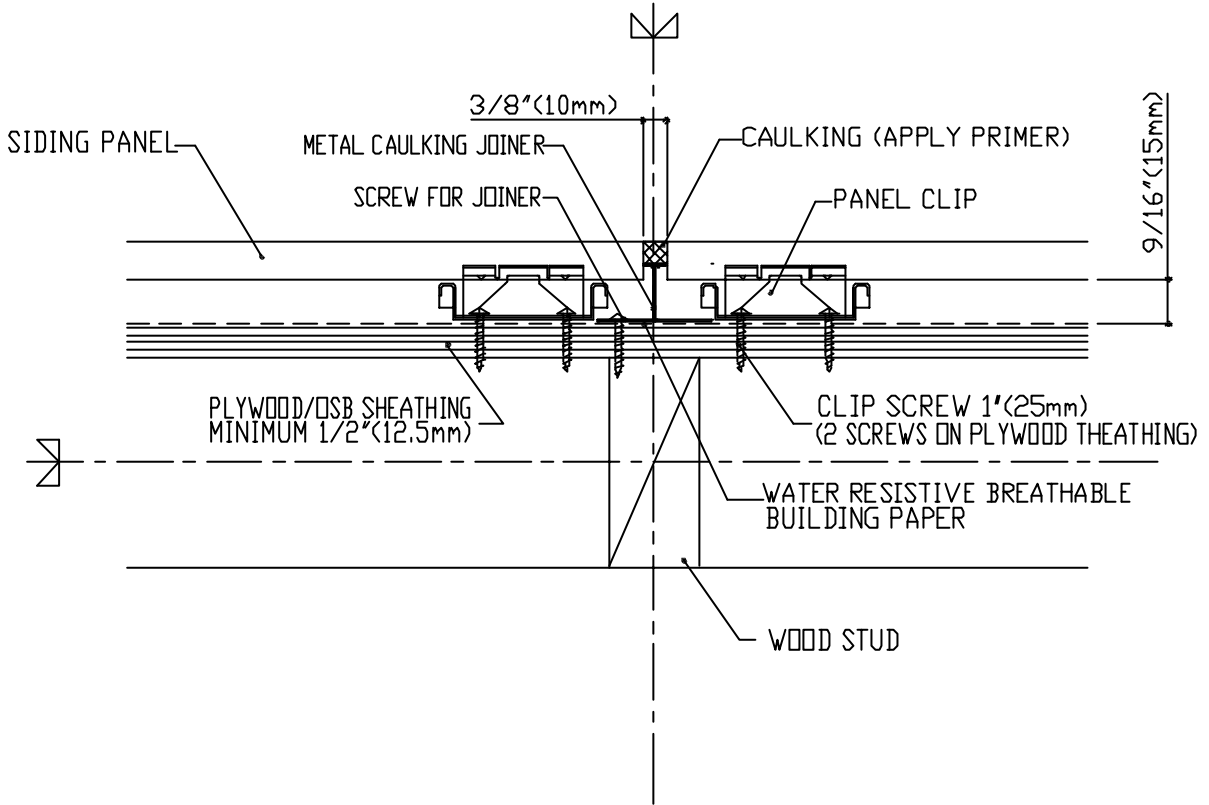
CERACLAD SIDING PANEL(16mm)	INSTALLATION DETAIL	10FT CAULKING JOINT PANEL	WHC-G1
HORIZONTAL 9/16"(15mm)	STARTER BAR		FEB 27 2008



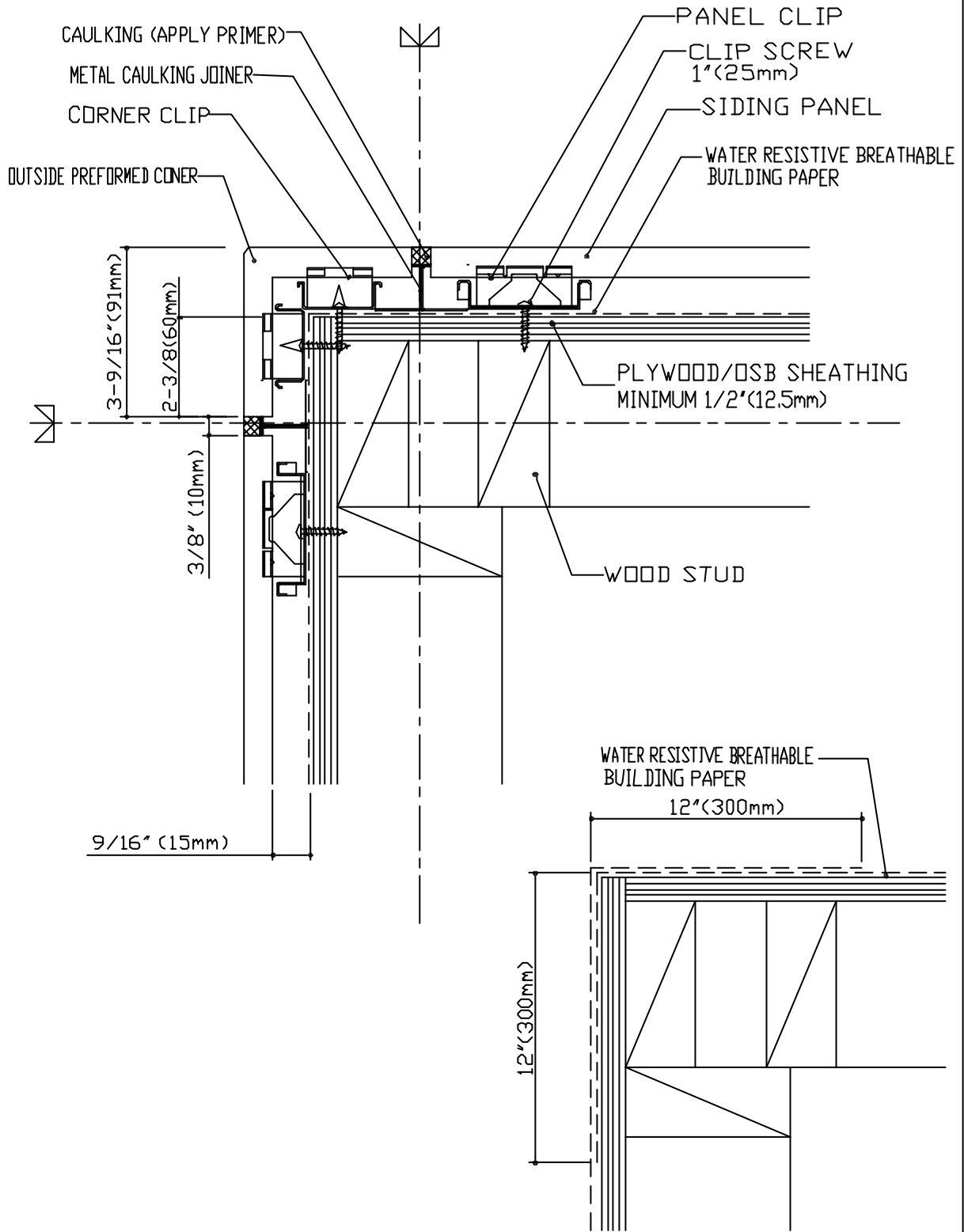
CERACLAD SIDING PANEL(16mm)	INSTALLATION DETAIL	10FT CAULKING JOINT PANEL	WHC-VJ2
HORIZONTAL 9/16"(15mm)	PANEL CAULKING JOINT		FEB 27 2008



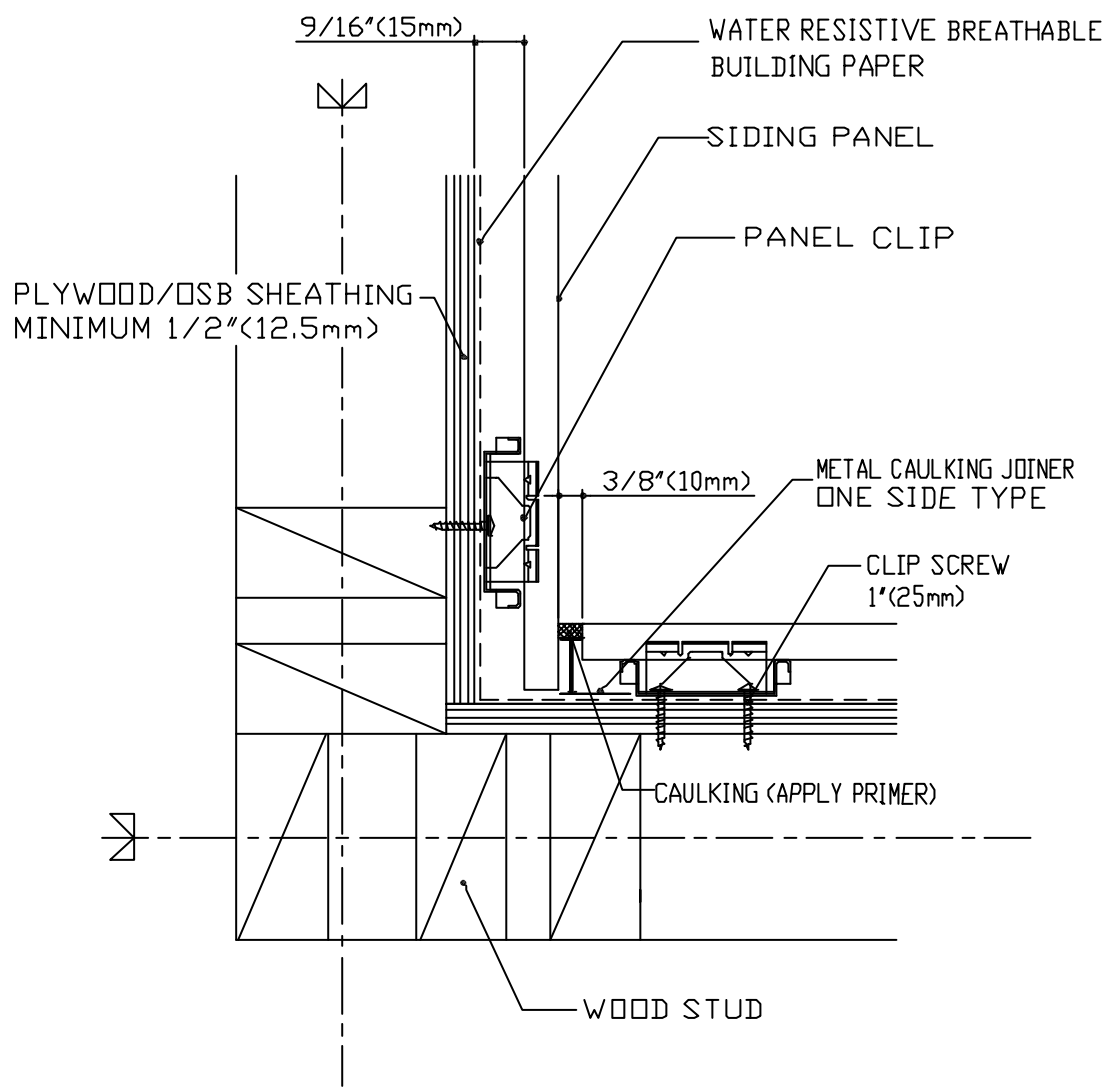
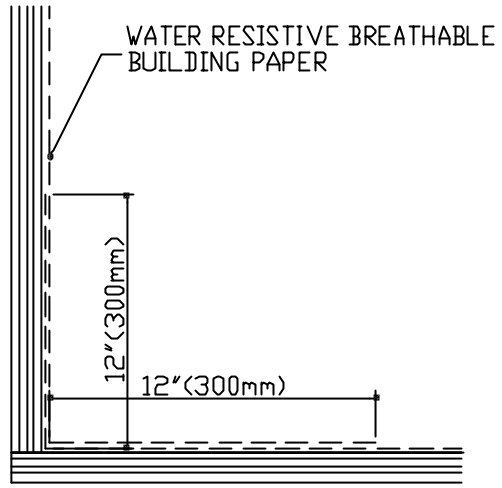
CERACLAD SIDING PANEL(16mm)	INSTALLATION DETAIL	10FT CAULKING JOINT PANEL	WHC-VJ1
HORIZONTAL 9/16"(15mm)	PANEL CAULKING JOINT		FEB 27 2008



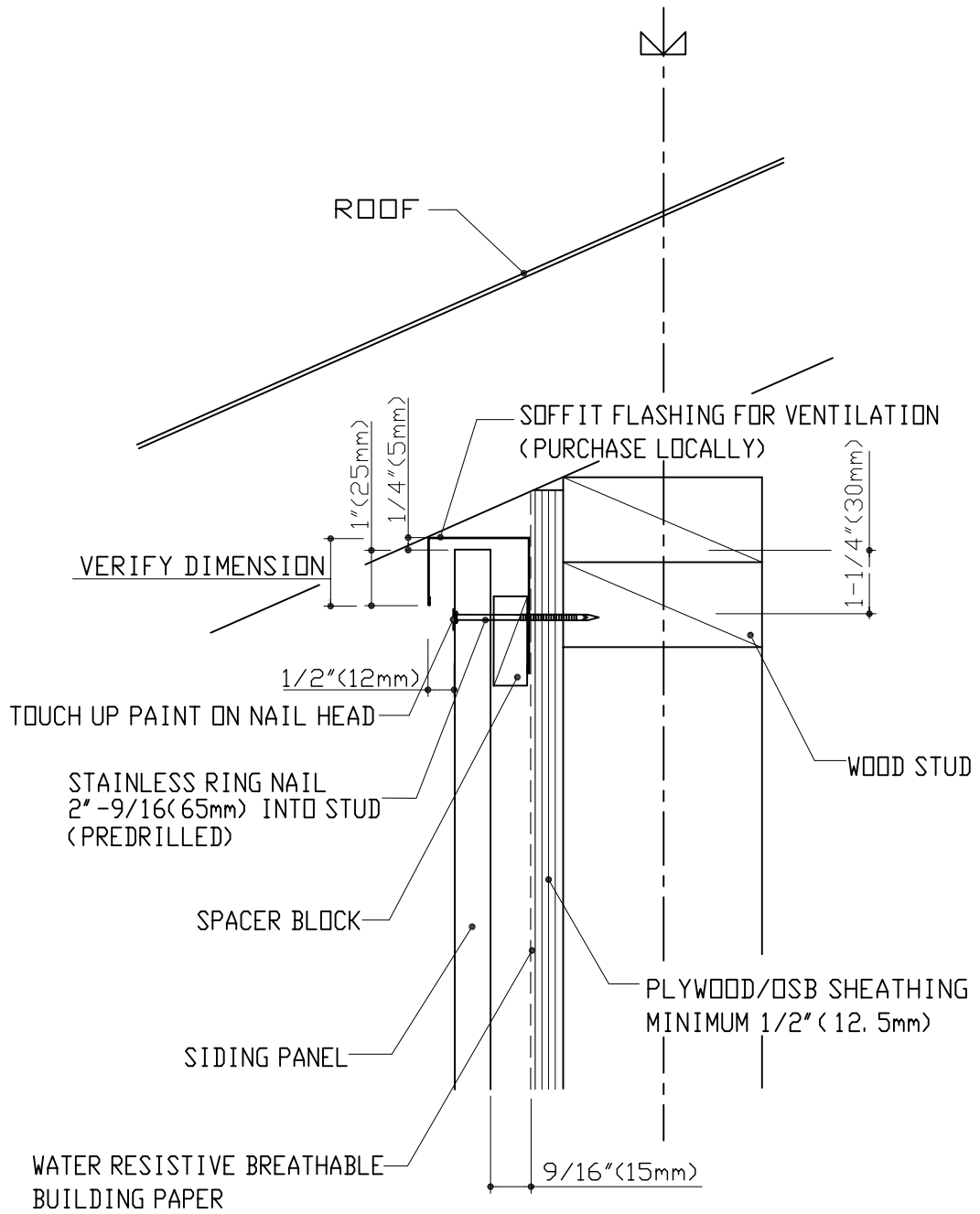
CERACLAD SIDING PANEL(16mm)	INSTALLATION DETAIL	10FT CAULKING JOINT PANEL	WHC-01
HORIZONTAL 9/16"(15mm)	OUTSIDE PREFORMED CORNER		FEB 27 2008



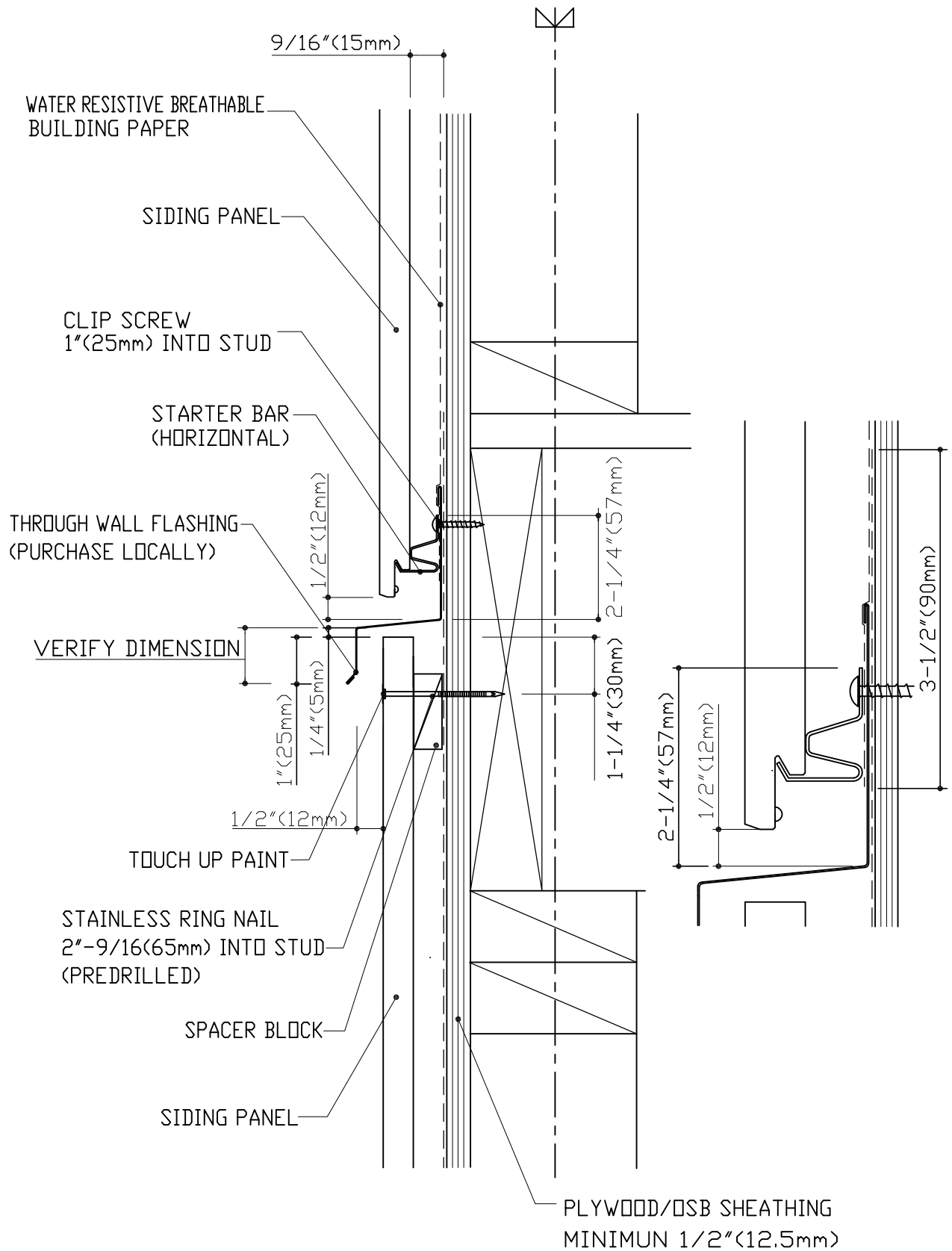
CERACLAD SIDING PANEL(16mm)	INSTALLATION DETAIL	10FT CAULKING JOINT PANEL	WHC - I1
HORIZONTAL 9/16'(15mm)	INSIDE CORNER		FEB 27 2008



CERACLAD SIDING PANEL(16mm)	INSTALLATION DETAIL	10FT CAULKING JOINT PANEL	WHC - S1
HORIZONTAL 9/16" (15mm)	UNDER EAVES		MAR 18 2008

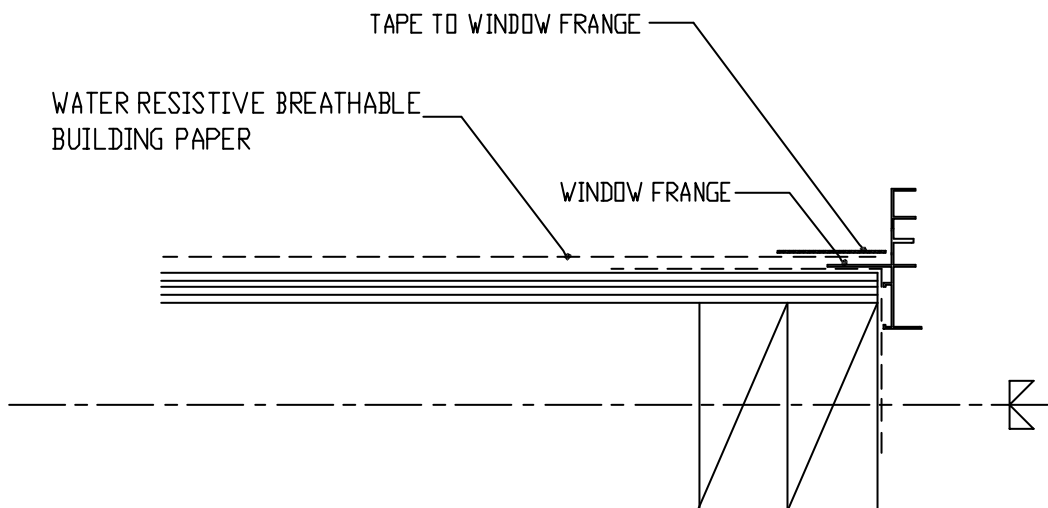
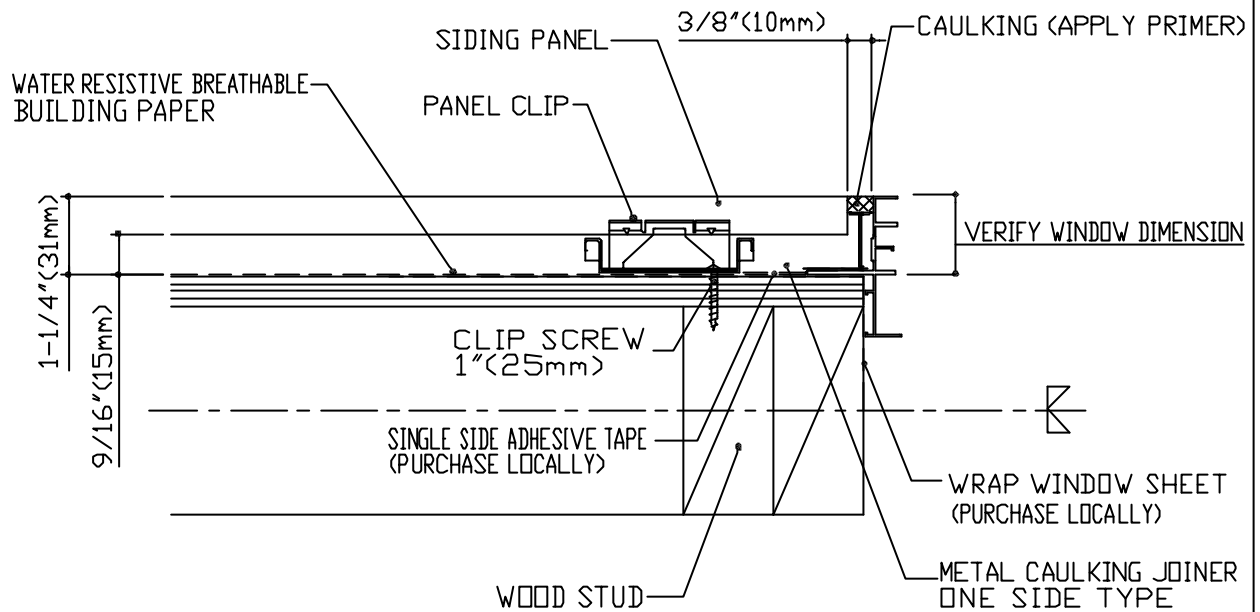


CERACLAD SIDING PANEL(16mm)	INSTALLATION DETAIL	10FT CAULKING JOINT PANEL	WHC-M2
HORIZONTAL 9/16"(15mm)	THROUGH WALL FLASHING		DEC 18 2008



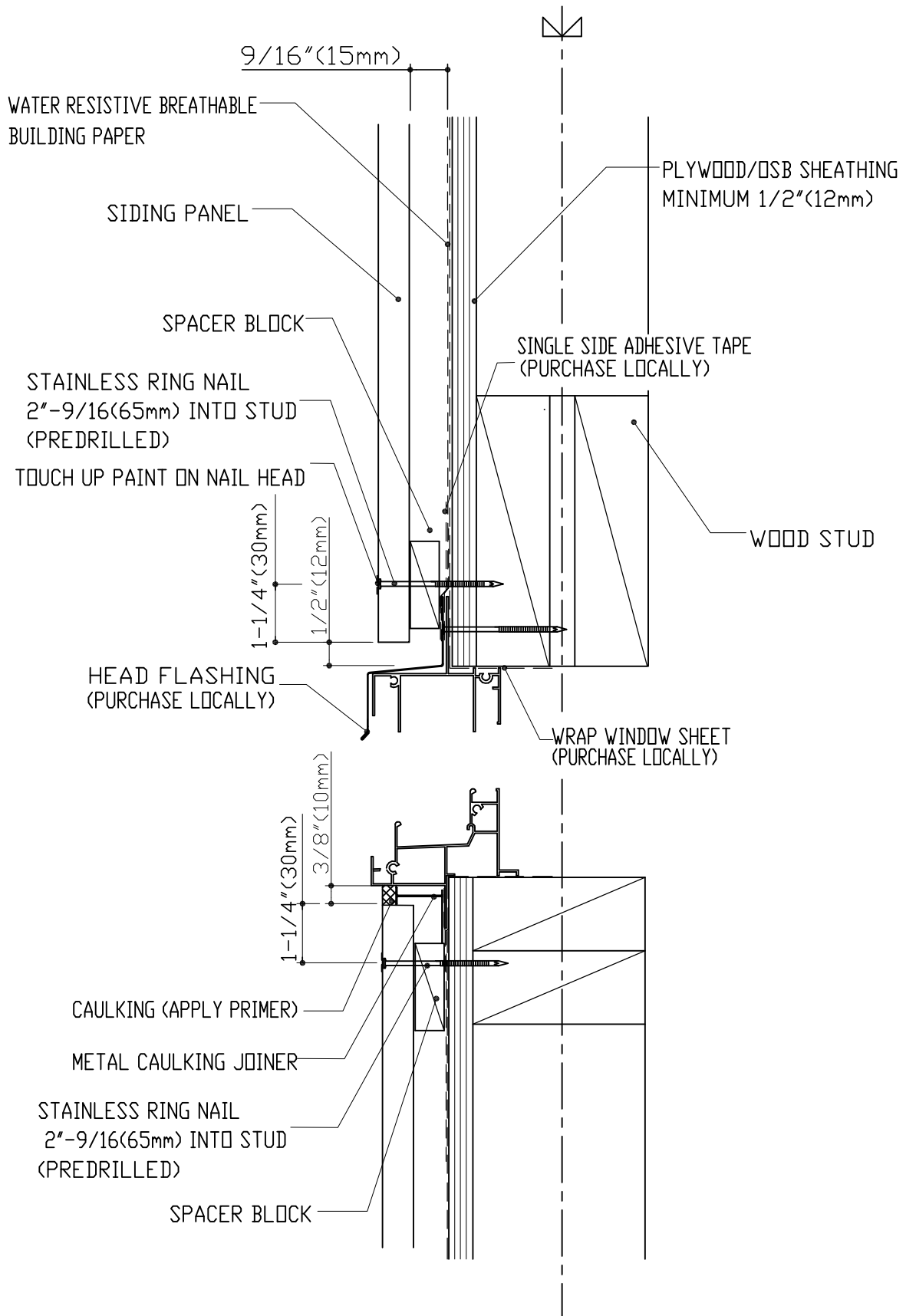
CERACLAD SIDING PANEL (16mm)	INSTALLATION DETAIL	10FT CAULKING JOINT PANEL	WHC-WJ3
HORIZONTAL 9/16" (15mm)	WINDOW AND DOOR JAMB (CAULKING)		FEB 27 2008

VERIFY WINDOW DIMENSION

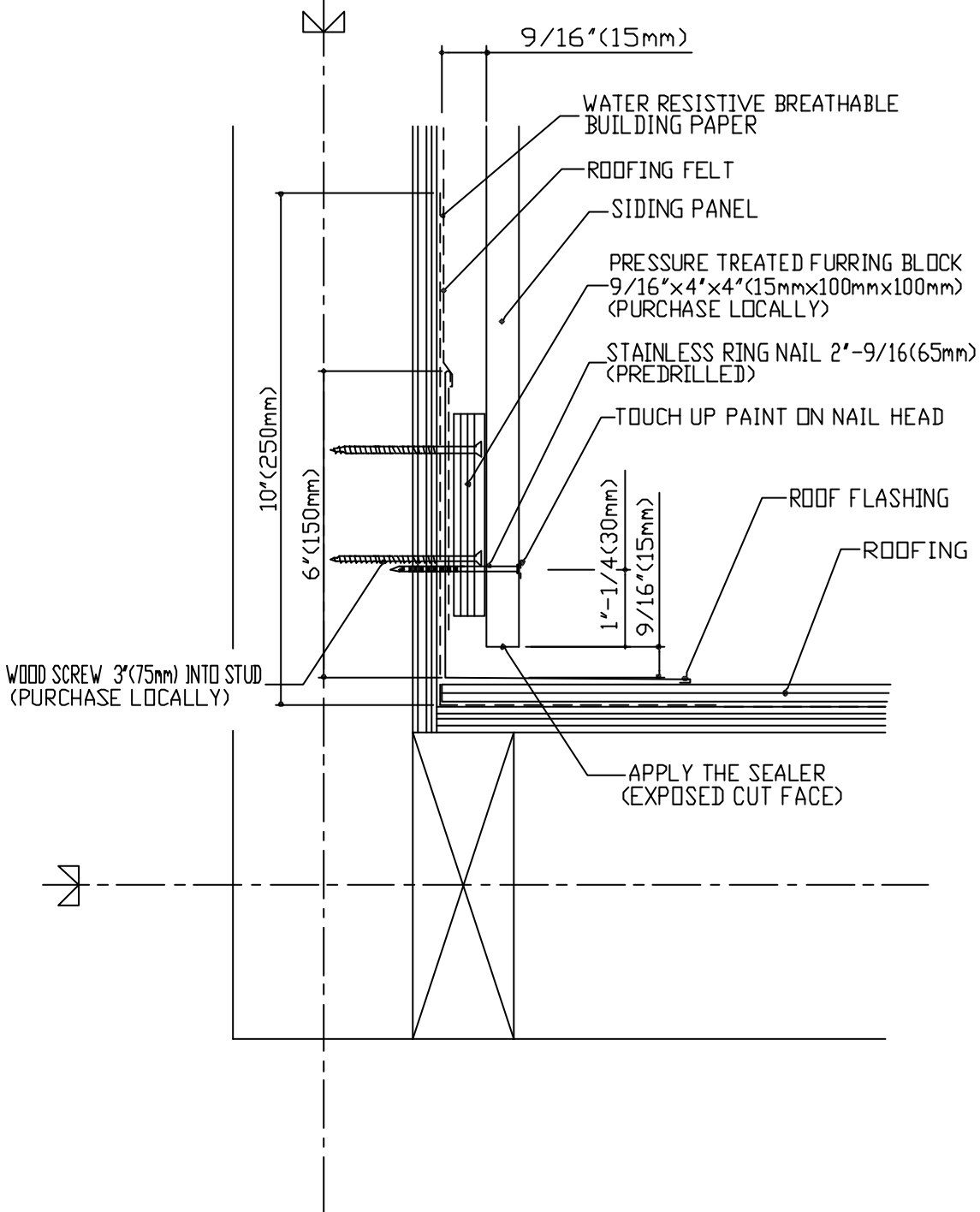


CERACLAD SIDING PANEL(16mm)	INSTALLATION DETAIL	10FT CAULKING JOINT PANEL	WHC-WS3
HORIZONTAL 9/16"(15mm)	WINDOW AND DOOR HEAD AND SILL(CAULKING)		FEB 27 2008

VERIFY WINDOW DIMENSION

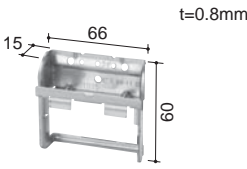
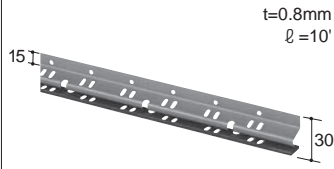
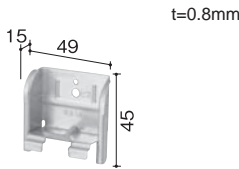


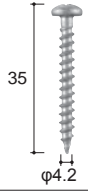
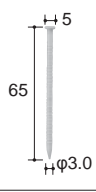
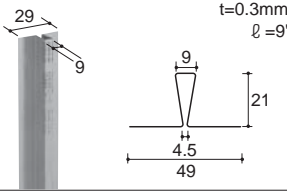
CERACLAD SIDING PANEL (16mm)	INSTALLATION DETAIL	10FT CAULKING JOINT PANEL	WHC-SL
HORIZONTAL 9/16" (15mm)	LOW SLOPE ROOF AND WALL		FEB 27 2008

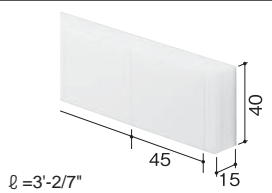




4. Horizontal Application (Wood Structure) Instructions and Details

<1> Siding Panel Installation Accessories

	Panel Clip	Starter Bar	Corner Clip
Product No	B1015	B10152J	RE10153
Product			
Minimum Quantity to Order	30 pieces/bag 10 bags/box	10 pieces/box	20 pieces/bag 10 bags/large box
Material	Galvanized Steel	Galvanized Steel	Galvanized Steel

	Clip Screw	Stainless Steel Ring Nail	Metal Caulking Joiner
Product No	B88352	B8765R400	B277
Product			
Minimum Quantity to Order	500 pieces/box	40 pieces/bag	15 pieces/box
Material	Stainless Steel	Stainless Steel	Alloy Plated Steel

	Spacer Block	Repair Putty	Touch-up Paint
Product No	RY82S15	B4901	
Product			
Minimum Quantity to Order	22 blocks per strip 6 strips per box	1 piece	1 set/box
Material	Polypropylene		