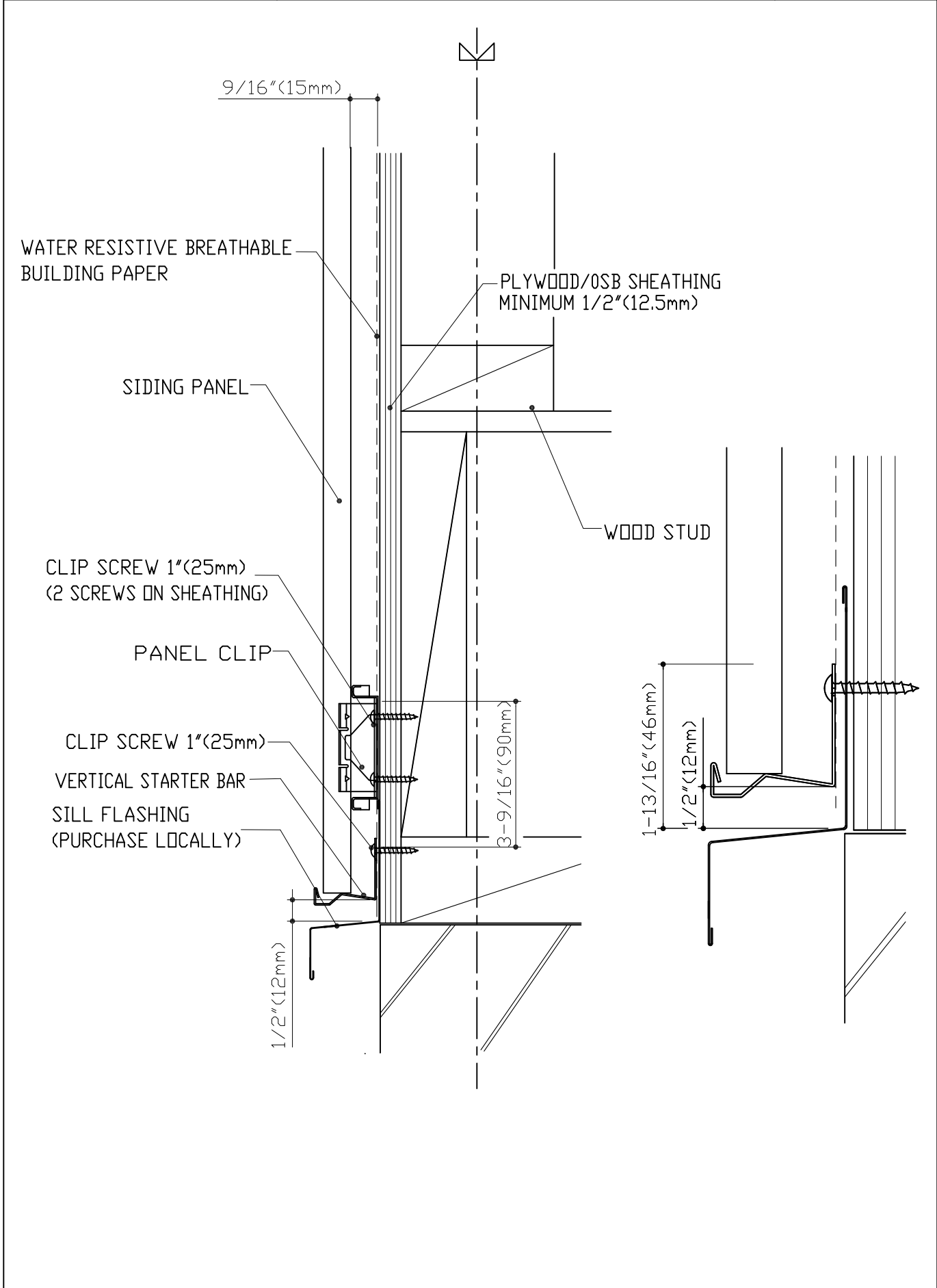
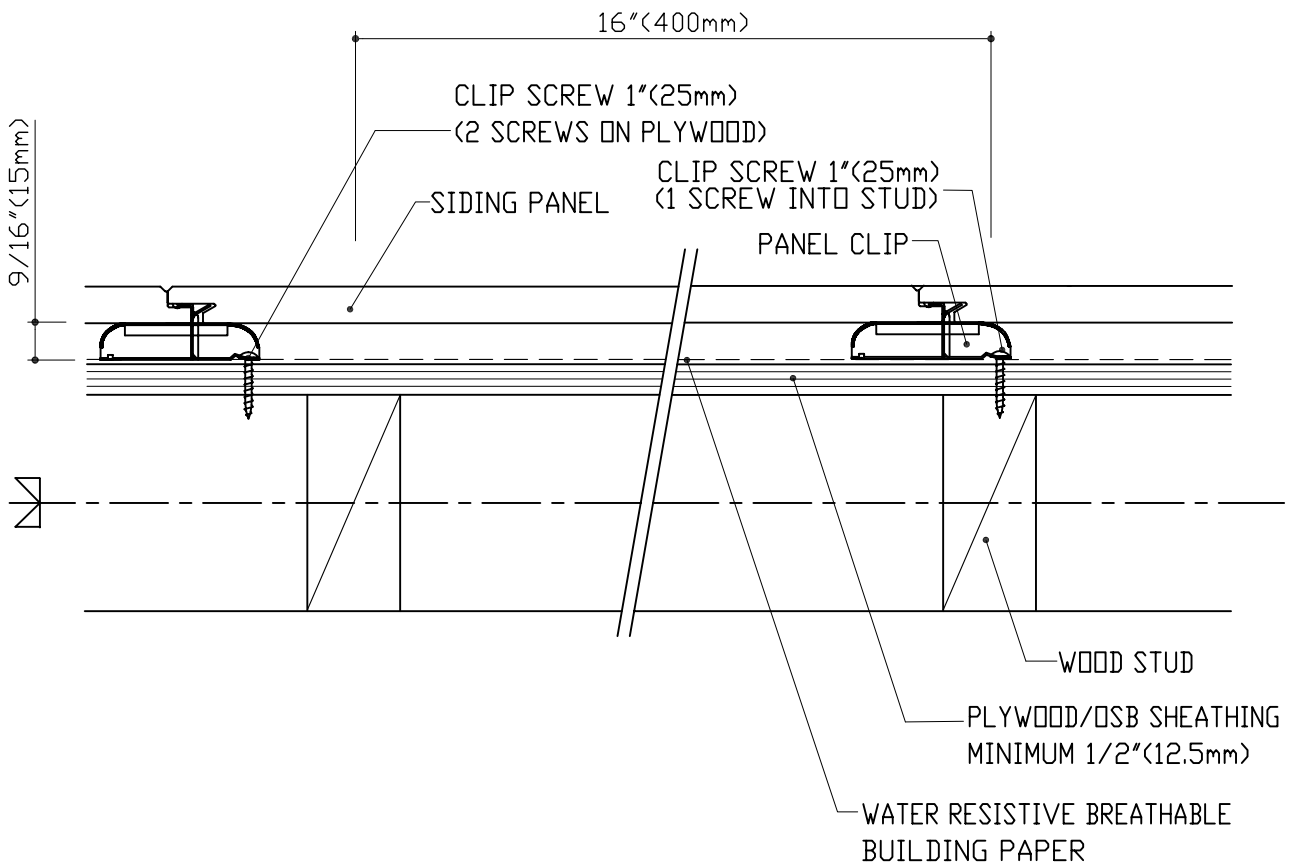
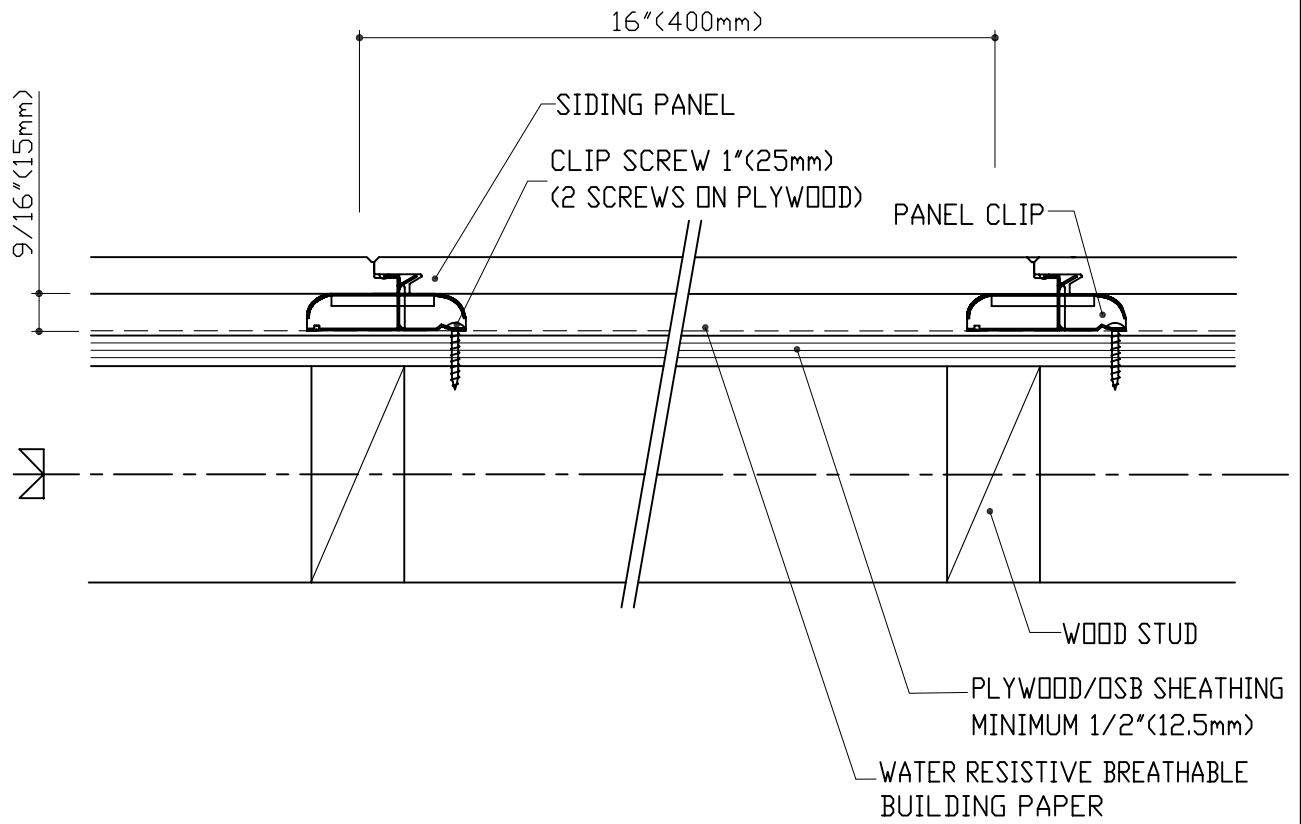


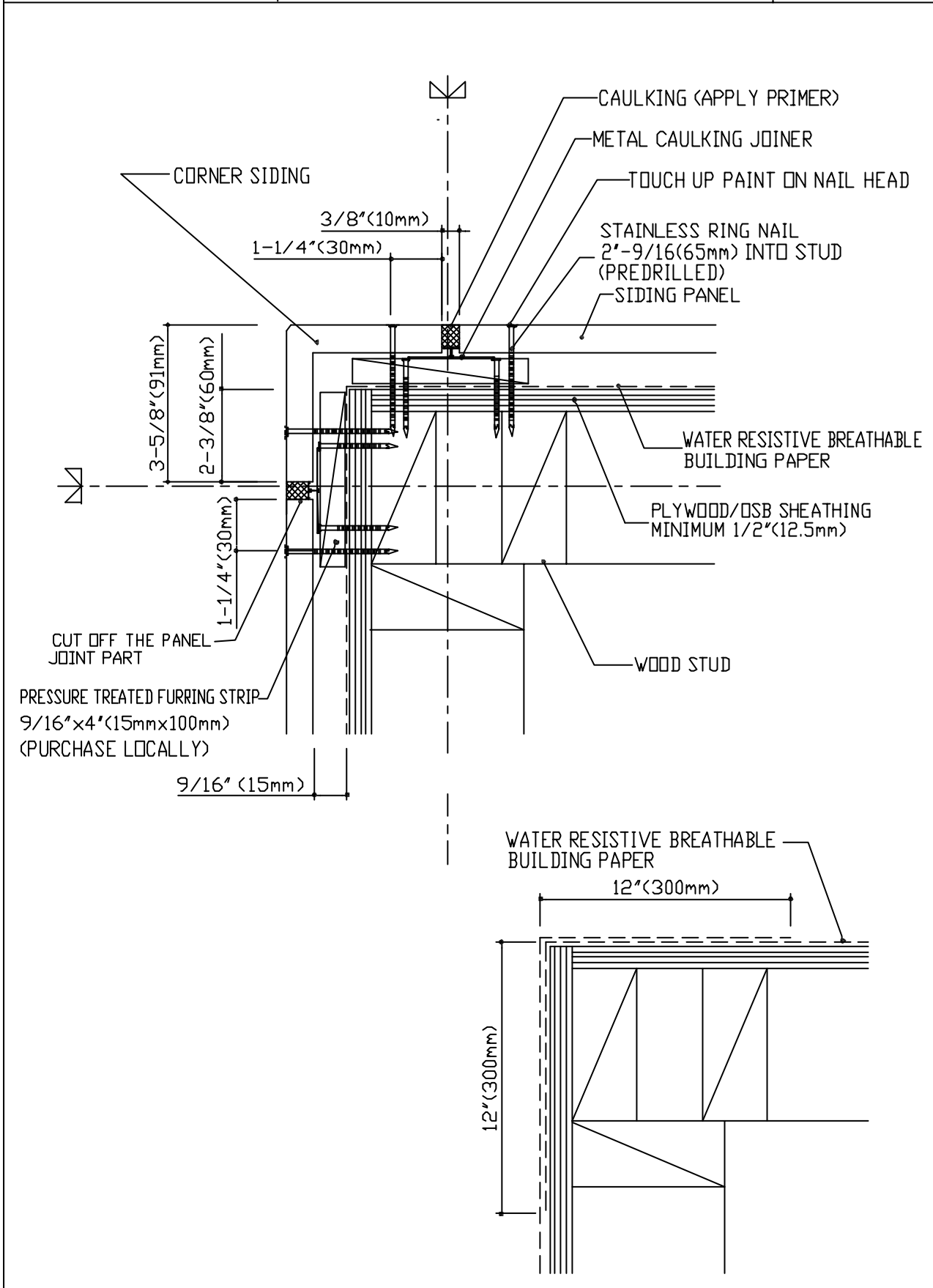
CERACLAD SIDING PANEL (16mm)	INSTALLATION DETAIL	10FT CAULKING JOINT PANEL	WVC-G1
VERTICAL 9/16"(15mm)	STARTER BAR		JAN 16 2013



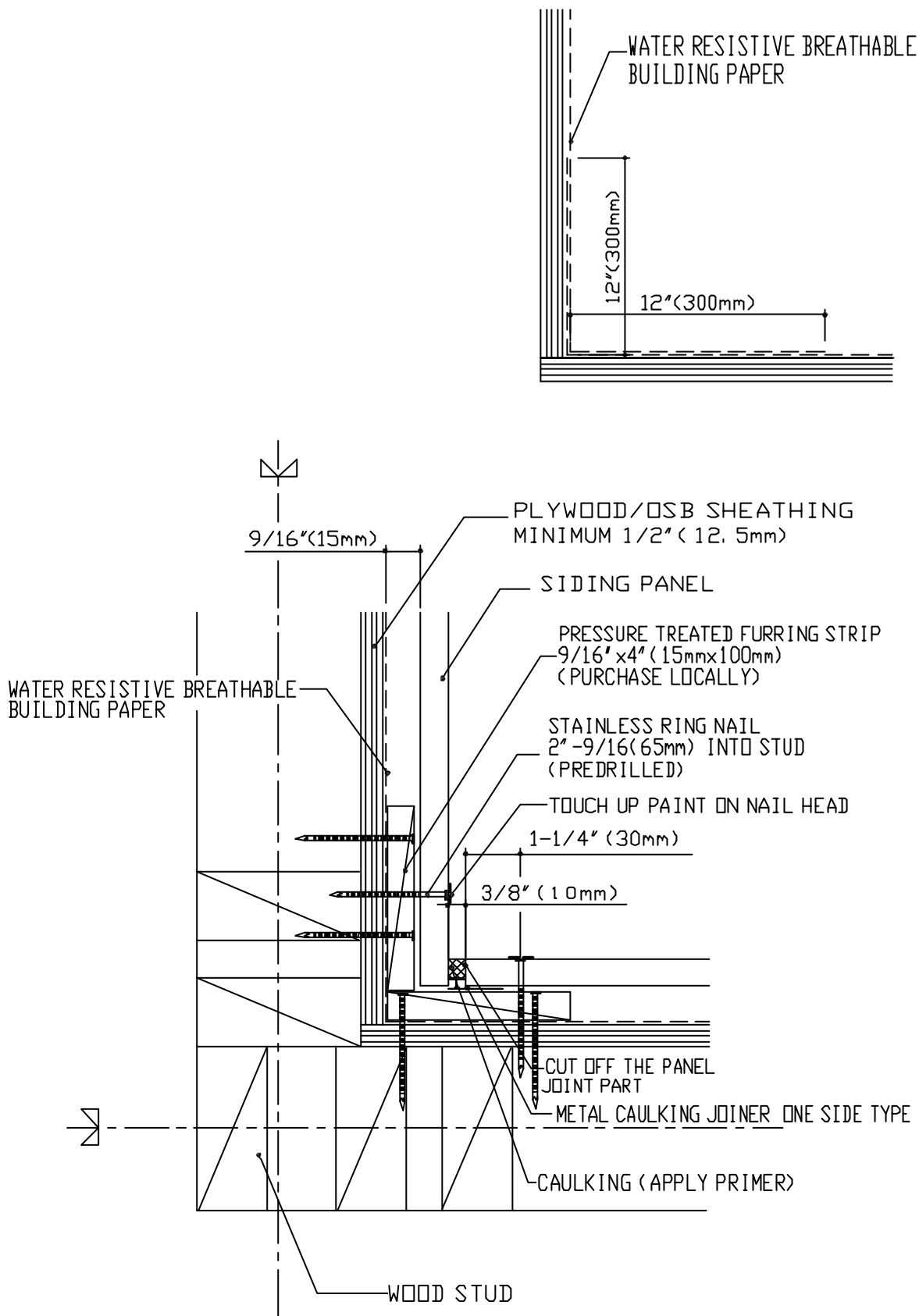
CERA CLAD SIDING PANEL (16mm)	INSTALLATION DETAIL	10FT CAULKING JOINT PANEL	WHC-VJ2
VERTICAL 9/16" (15mm)	PANEL VERTICAL JOINT		FEB 29 2008



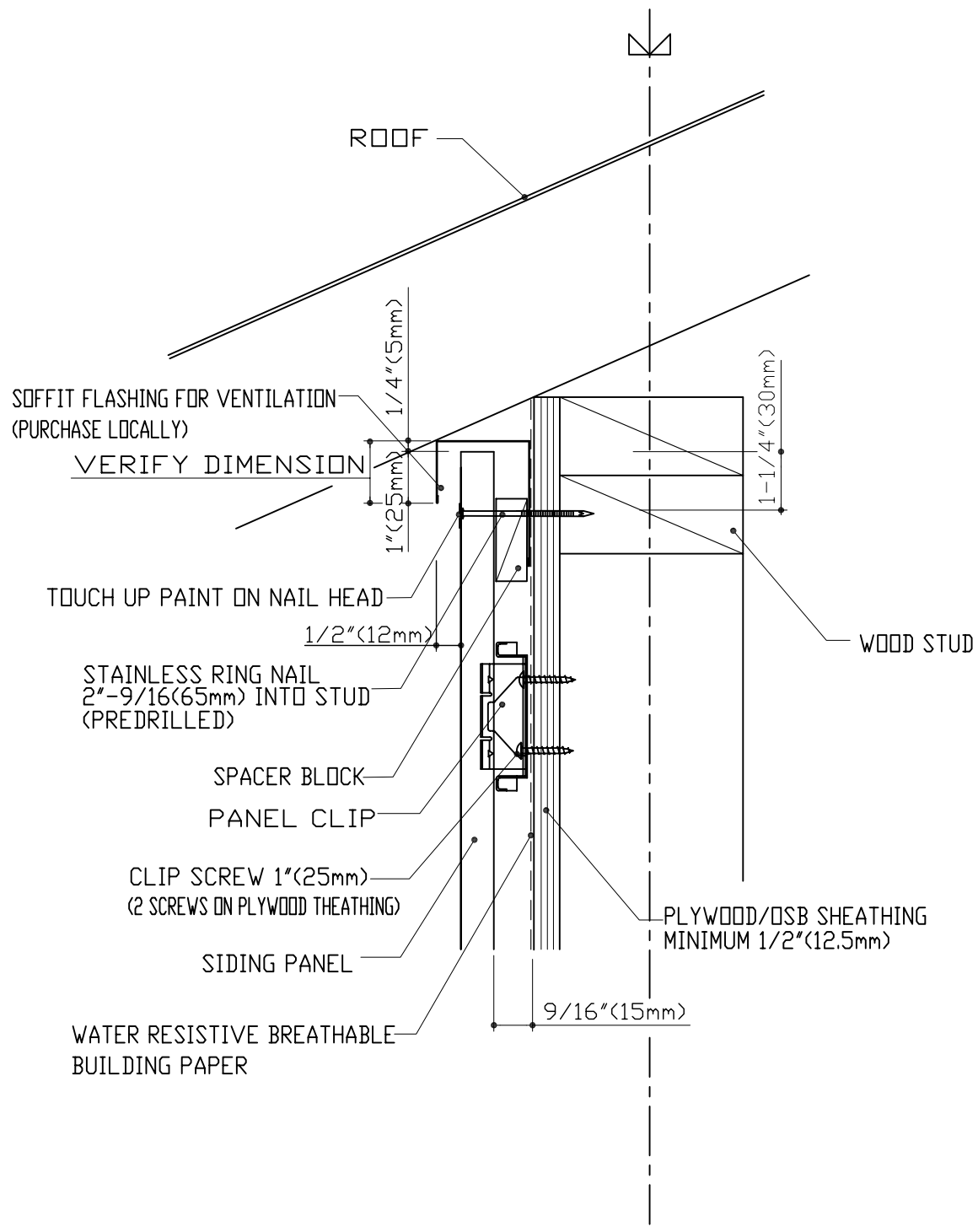
CERACLAD SIDING PANEL (16mm)	INSTALLATION DETAIL	10FT CAULKING JOINT PANEL	WVC-01
VERTICAL 9/16" (15mm)	OUTSIDE PREFORMED CORNER		FEB 27 2008



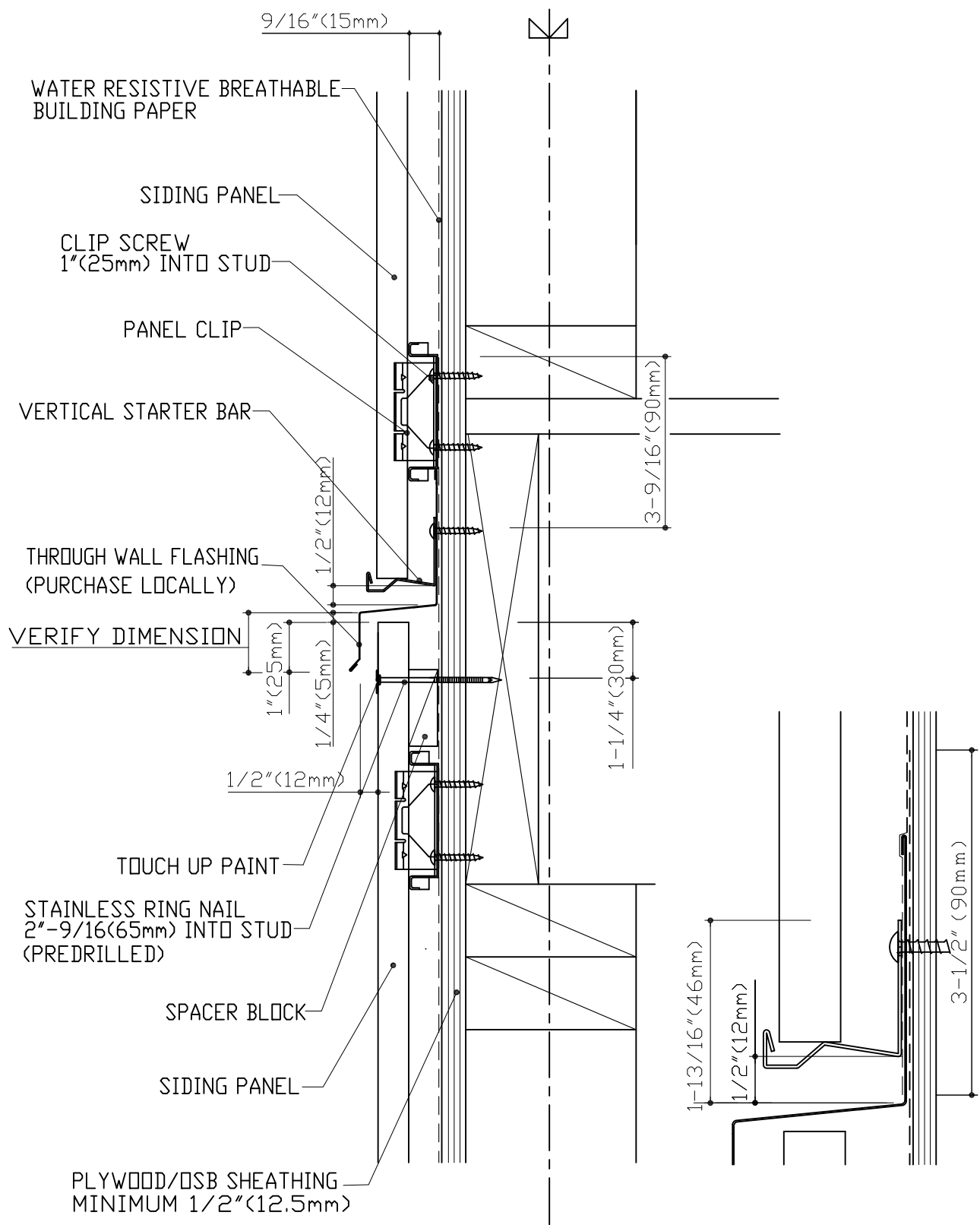
CERA CLAD SIDING PANEL (16mm)	INSTALLATION DETAIL	10FT CAULKING JOINT PANEL	WVC-I 1
VERTICAL 9/16" (15mm)	INSIDE CORNER		FEB 28 2008



CERACLAD SIDING PANEL (16mm)	INSTALLATION DETAIL	10FT CAULKING JOINT PANEL	WVC-S1
VERTICAL 9/16"(15mm)	UNDER EAVES		MAR 18 2008

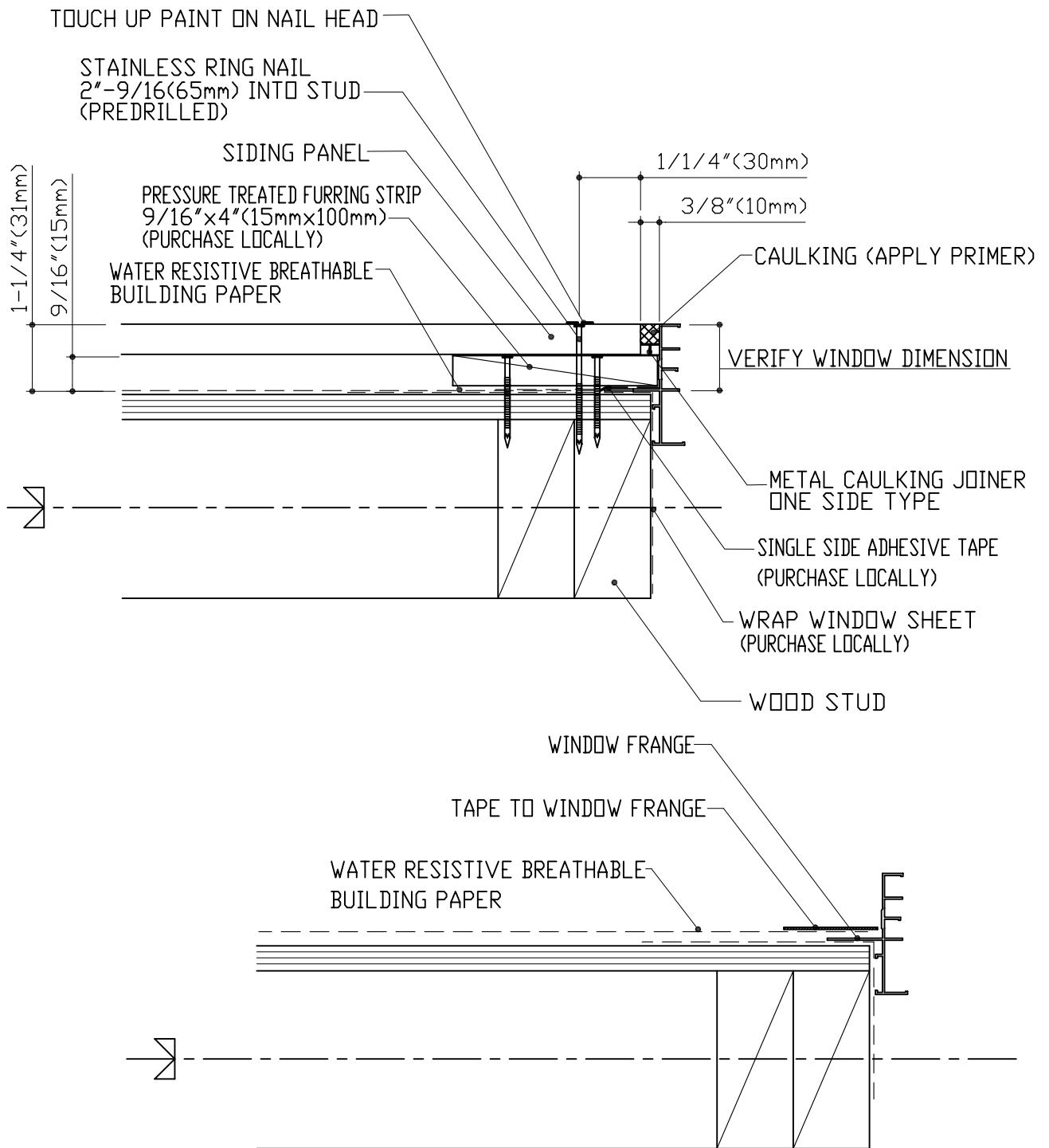


CERACLAD SIDING PANEL (16mm)	INSTALLATION DETAIL	10FT CAULKING JOINT PANEL	WVC-M2
VERTICAL 9/16"(15mm)	THROUGH WALL FLASHING		JAN 16 2013



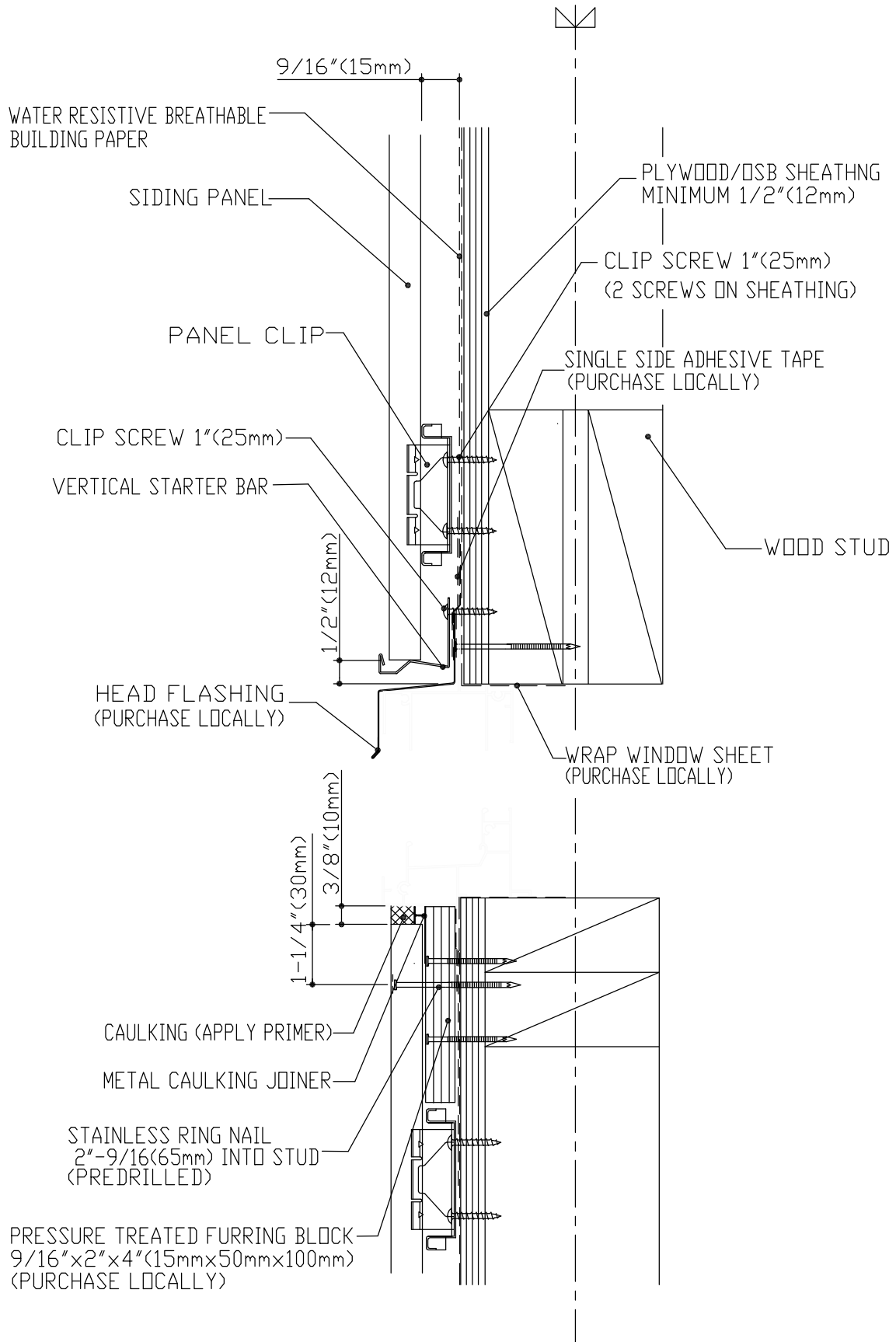
CERACLAD SIDING PANEL (16mm)	INSTALLATION DETAIL	10FT CAULKING JOINT PANEL	WVC-WJ3
VERTICAL 9/16" (15mm)	WINDOW AND DOOR JAMB (CAULKING)		OCT 28 2008

VERIFY WINDOW DIMENSION

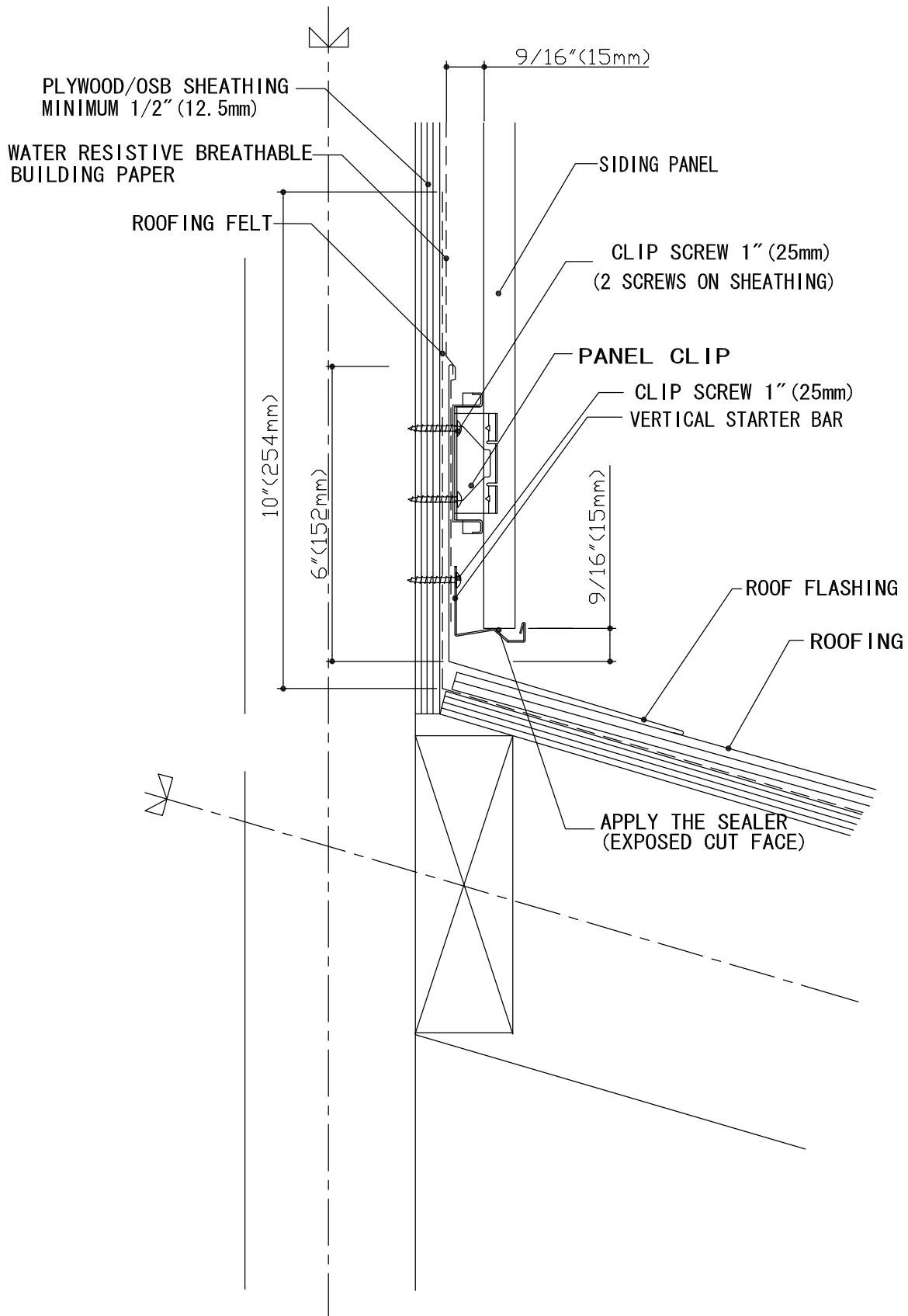


CERACLAD SIDING PANEL(16mm)	INSTALLATION DETAIL	10FT CAULKING JOINT PANEL	WVC-WS3
VERTICAL 9/16"(15mm)	WINDOW AND DOOR HEAD AND SILL(CAULKING)		OCT 28 2008

VERIFY WINDOW DIMENSION

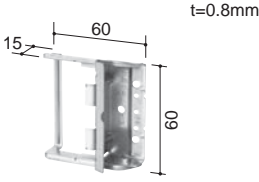
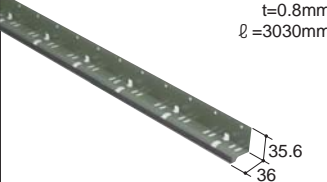


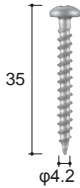
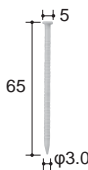
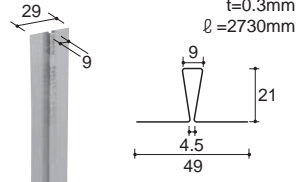
CERA CLAD SIDING PANEL (16mm)	INSTALLATION DETAIL	10FT CAULKING JOINT PANEL	WVC-HL
VERTICAL 9/16" (15mm)	ROOF TO WALL		FED 28 2008

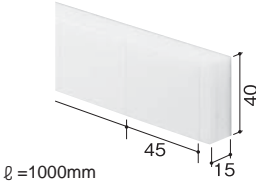




6. Vertical Application (Wood Structure) Instructions and Details

<1> Siding Panel Installation Accessories

Clips for Rain Screen Exterior Siding System		
	Panel Clip	Starter Bar
Product No	B1015	B10157HG
Product		
Minimum Quantity to Order	30 pieces/bag 10 bags/box	10 pieces/box
Material	Galvanized Steel	Galvanized Steel

	Clip Screw	Stainless Nail	Metal Caulking Joiner
Product No	B88352	B8765R400	B272
Product		<p>Please cover nail heads with touch-up paint after installation.</p> 	
Minimum Quantity to Order	500 pieces/box	40 pieces/bag	15 pieces/box
Material	Stainless Steel	Stainless Steel	Alloy Plated Steel

	Spacer Block	Repair Putty	Repair Paint
Product No	RY82S15	B4901	
Product			
Minimum Quantity to Order	22 blocks per strip 6 strips per box	1 piece	1 set/box
Material	Polypropylene		