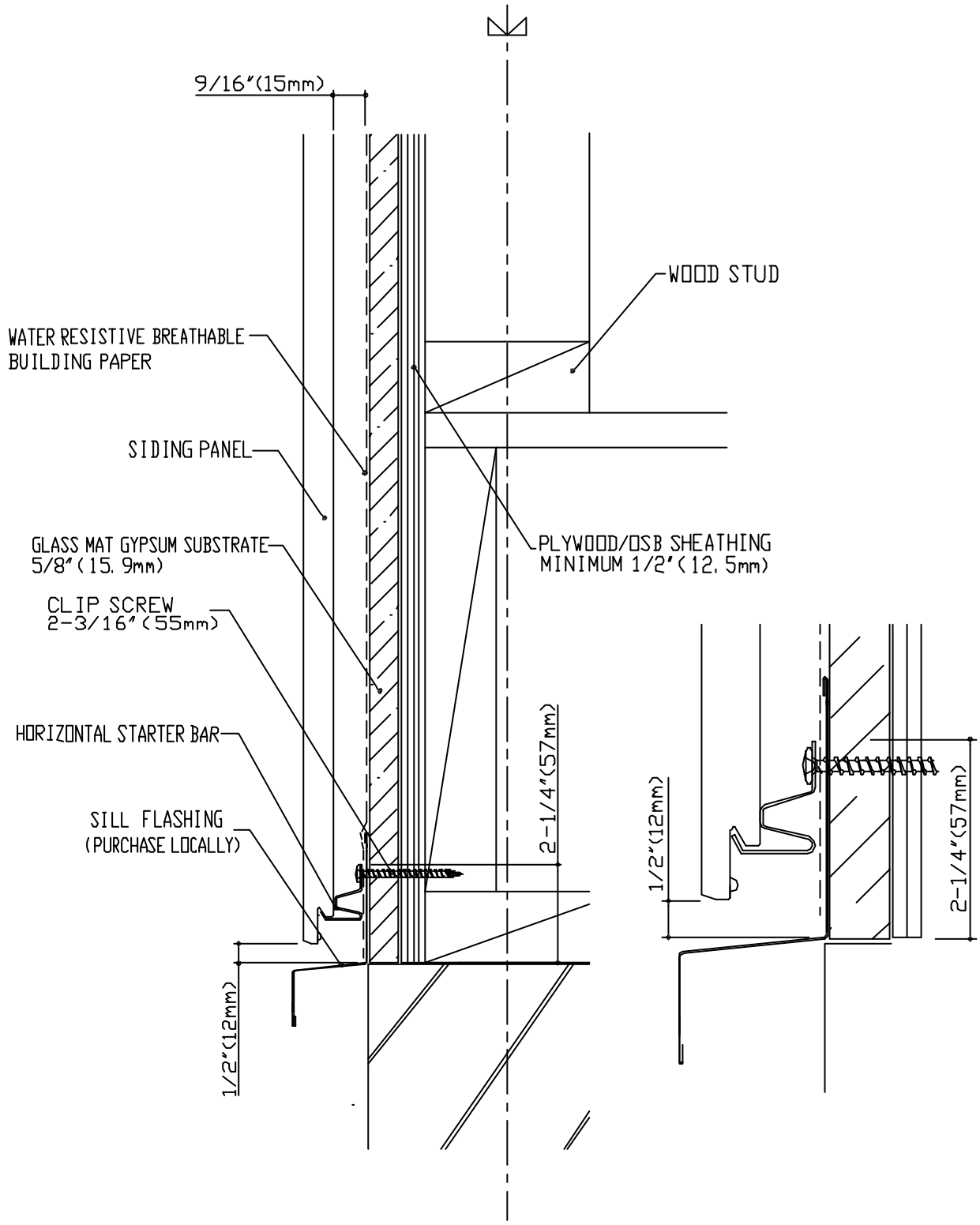
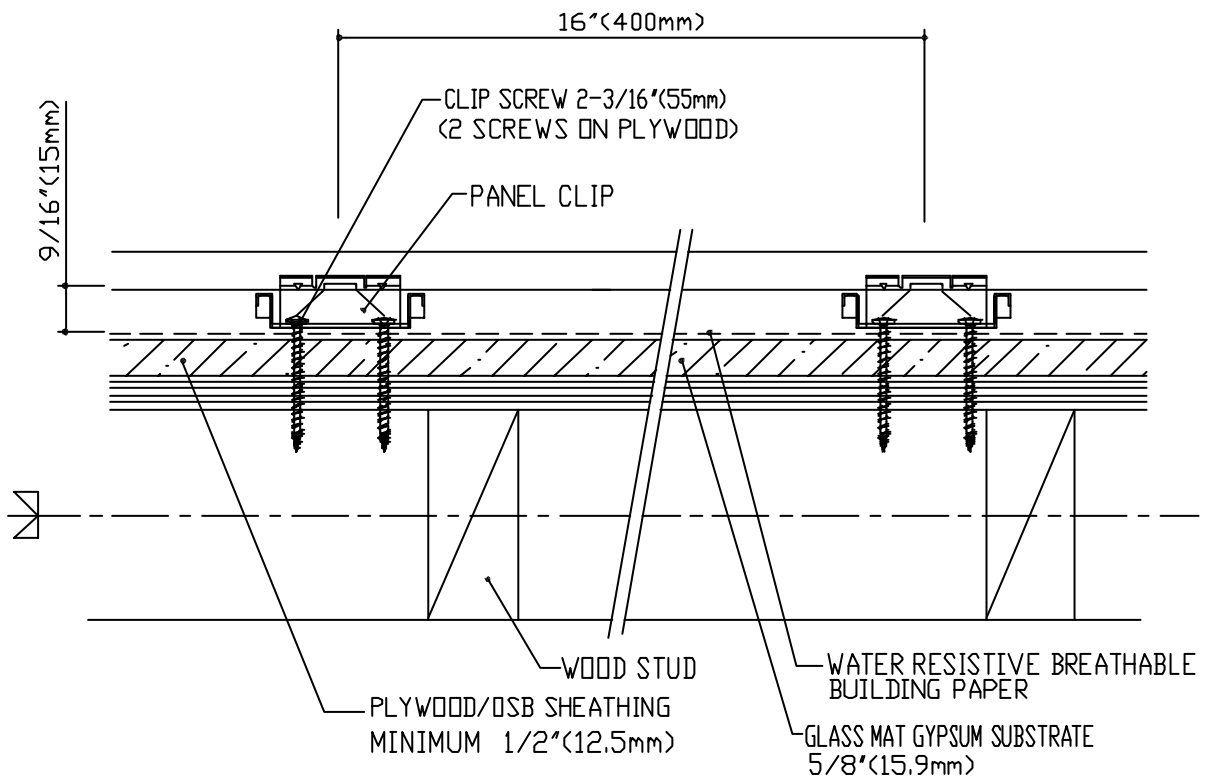
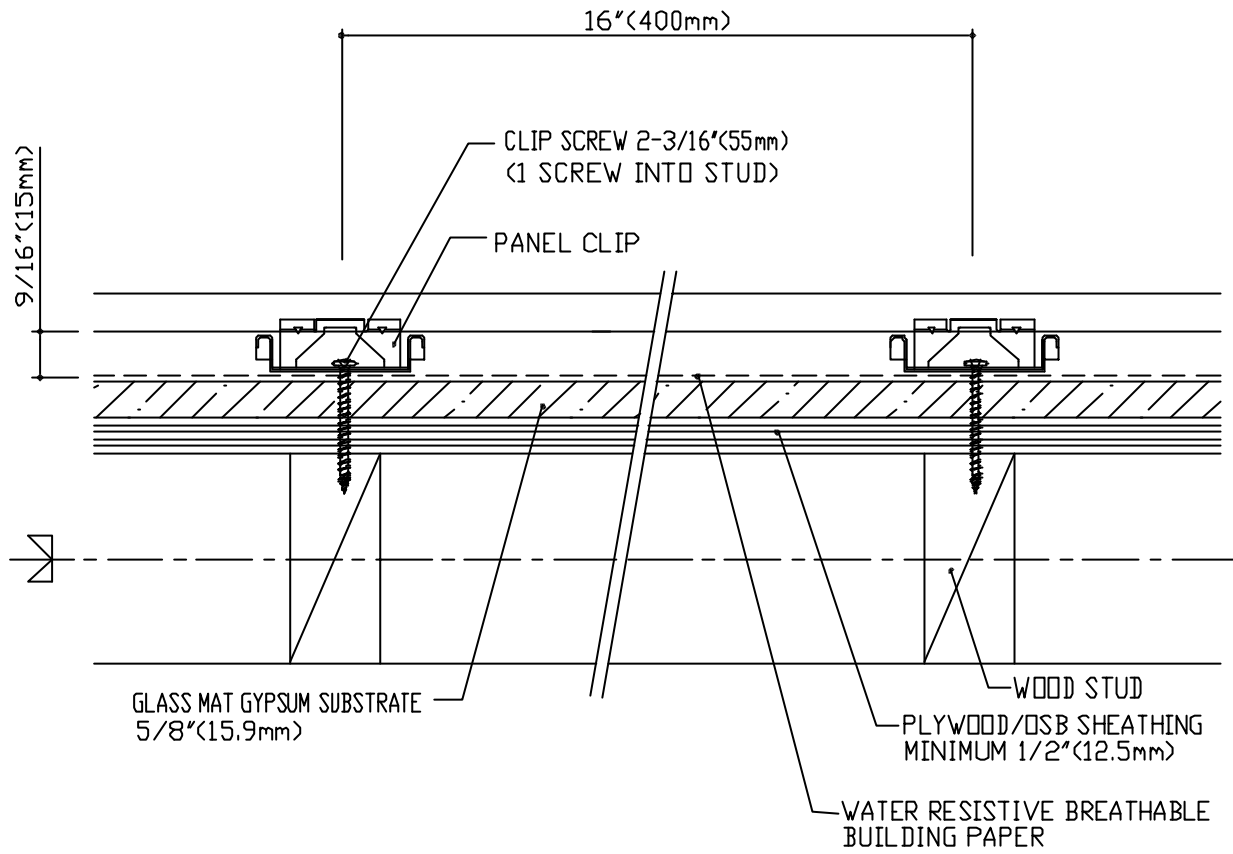


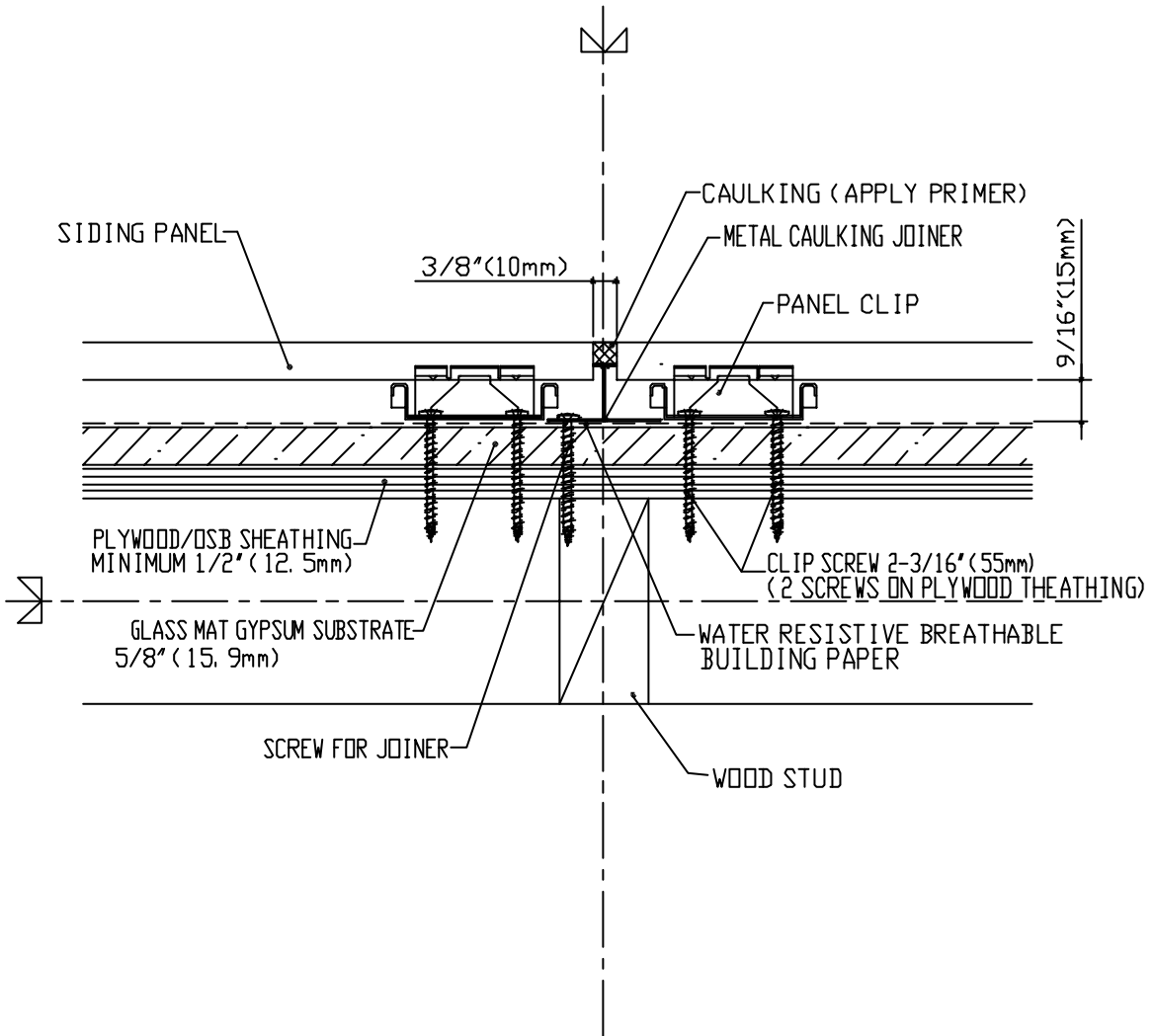
CERACLAD SIDING PANEL (16mm)	INSTALLATION DETAIL	10FT CAULKING JOINT PANEL	WDHC - G1
HORIZONTAL 9/16" (15mm)	STARTER BAR		FEB 29 2008



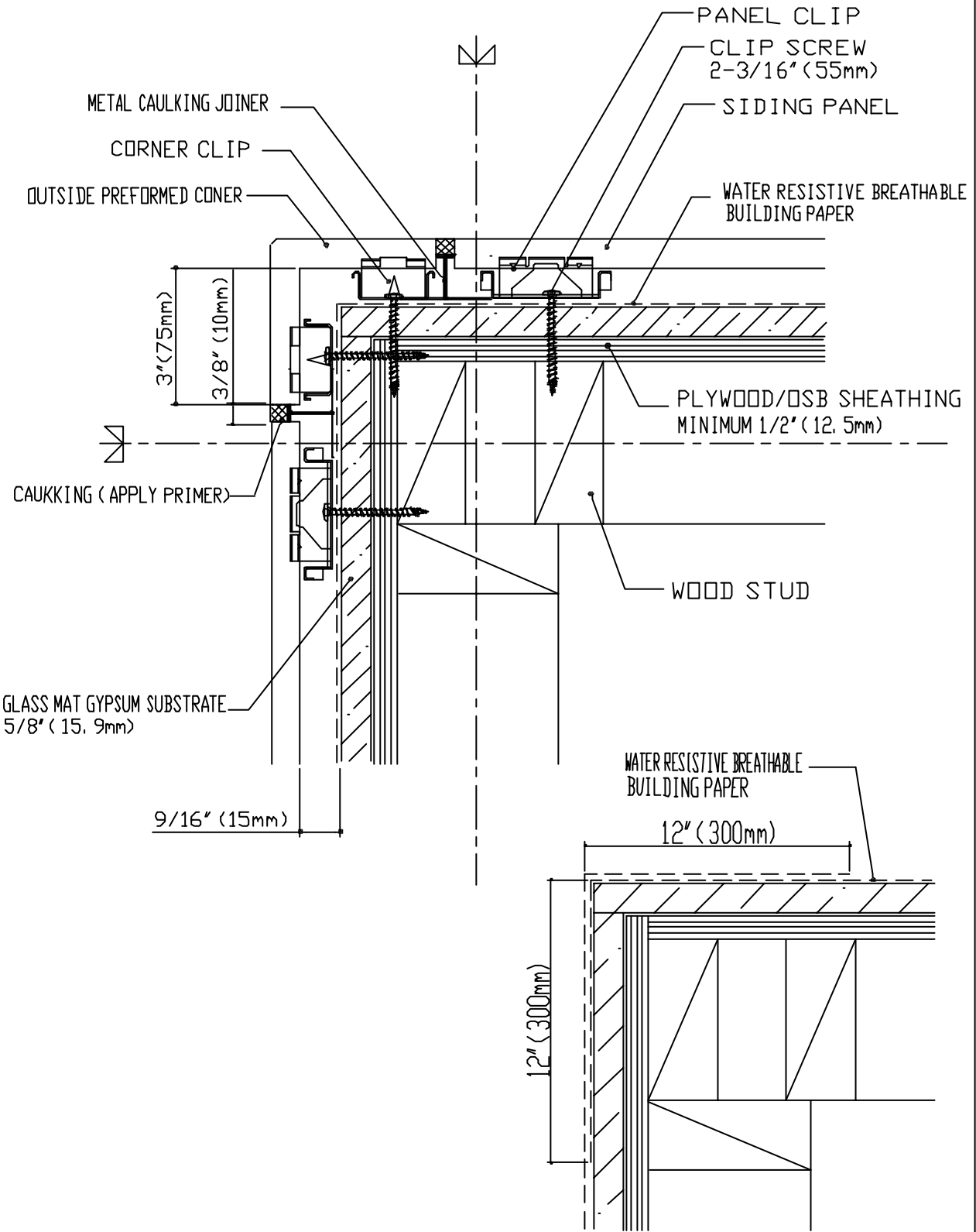
CERACLAD SIDING PANEL(16mm)	INSTALLATION DETAIL	10FT CAULKING JOINT PANEL	WDHC-VJ2
HORIZONTAL 9/16"(15mm)	PANEL CAULKING JOINT		FEB 27 2008



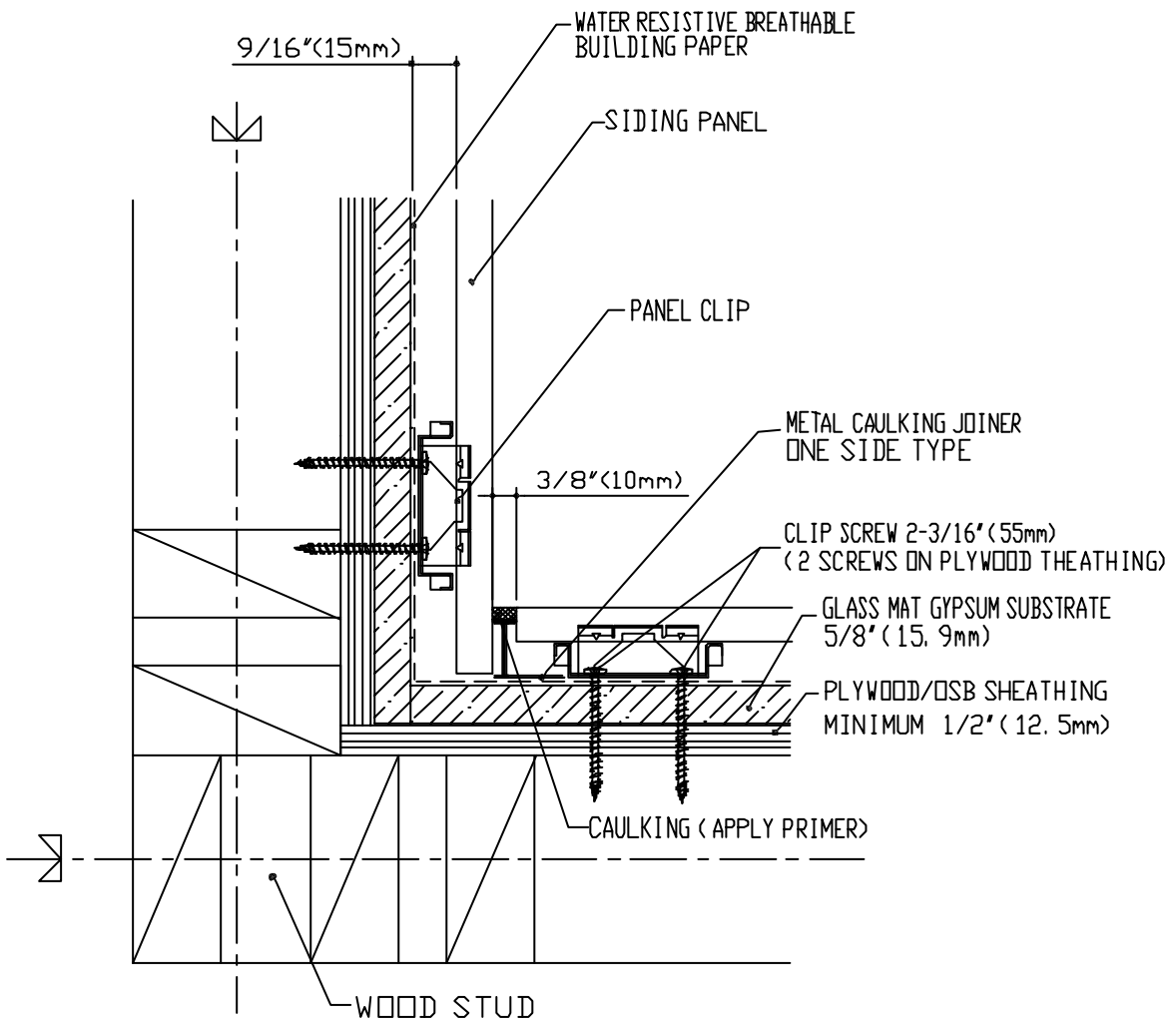
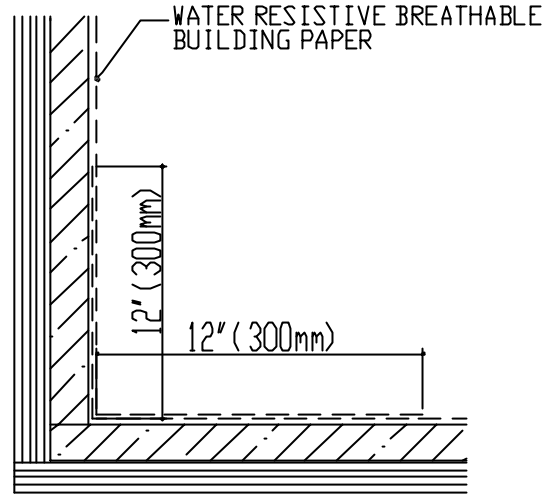
CERACLAD SIDING PANEL (16 mm)	INSTALLATION DETAIL	10FT CAULKING JOINT PANEL	WDHC-VJ1
HORIZONTAL 9/16" (15mm)	PANEL CAULKING JOINT		FEB 29 2008



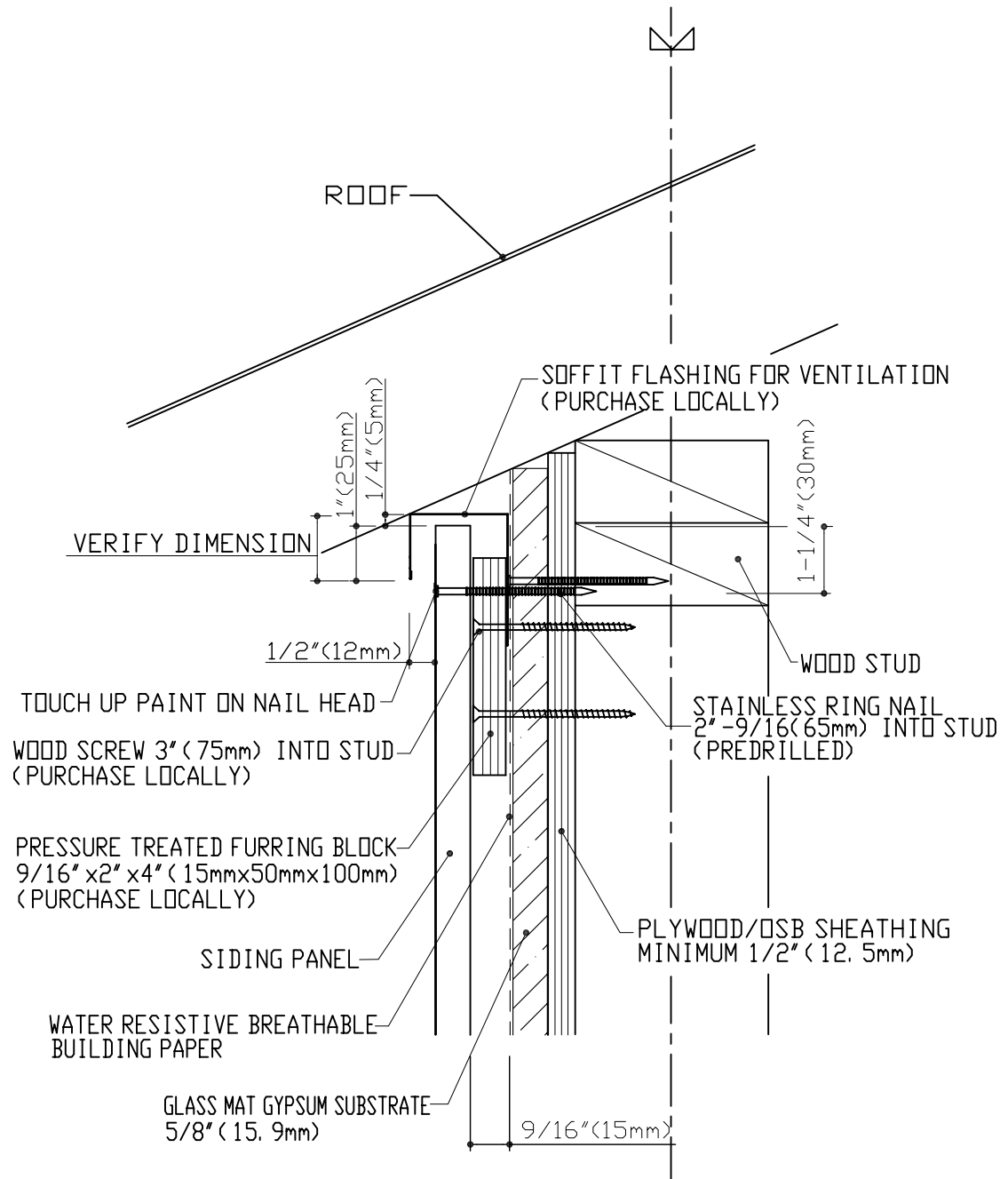
CERACLAD SIDING PANEL (16mm)	INSTALLATION DETAIL	10FT CAULKING JOINT PANEL	WDHC-01
HORIZONTAL 9/16" (15mm)	OUTSIDE PREFORMED CORNER		FEB 29 2008



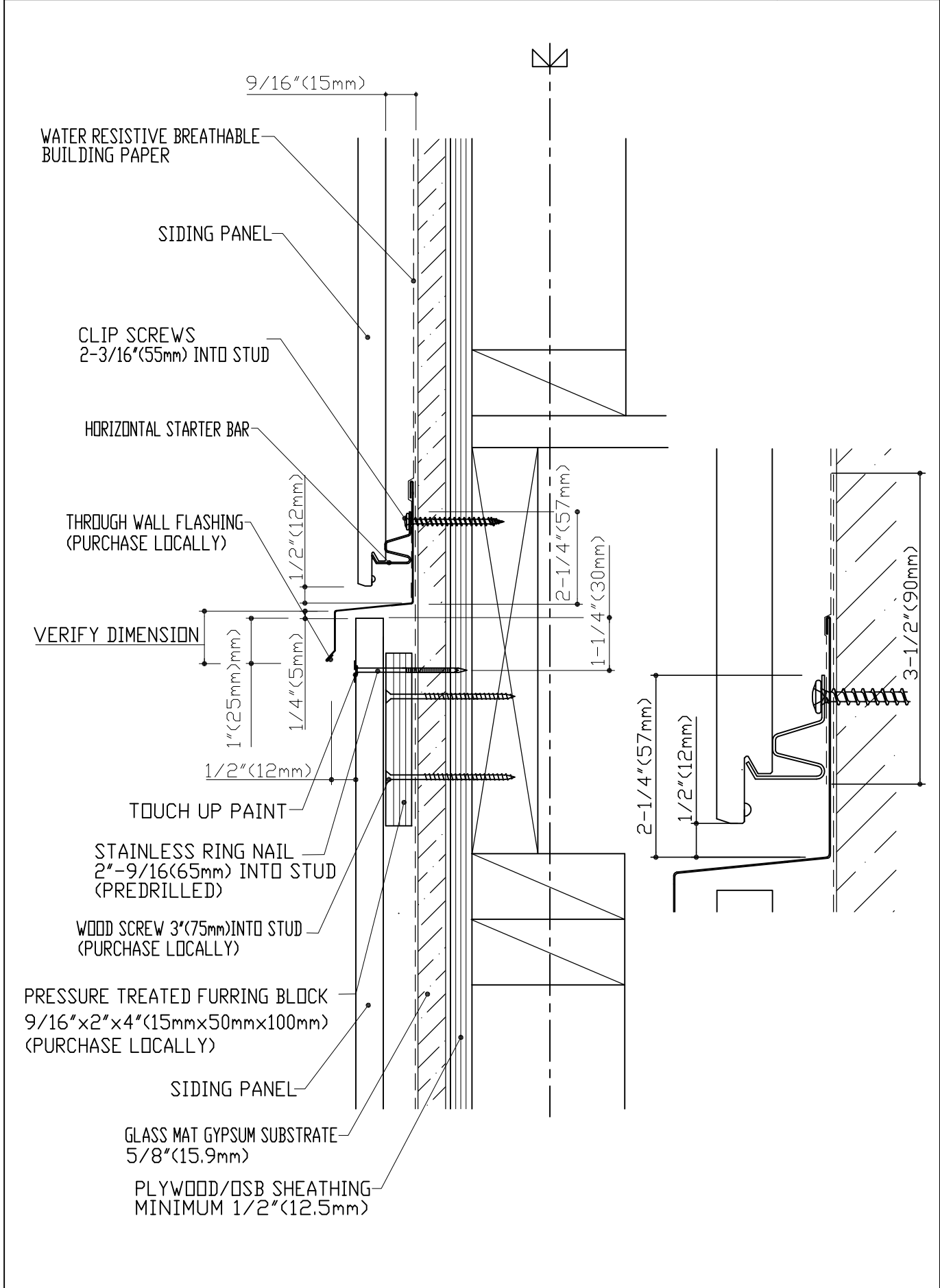
CERACLAD SIDING PANEL (16mm)	INSTALLATION DETAIL	10FT CAULKING JOINT PANEL	WDHC - I1
HORIZONTAL 9/16" (15mm)	INSIDE CORNER		FEB 29 2008



CERACLAD SIDING PANEL (16 mm)	INSTALLATION DETAIL	10FT CAULKING JOINT PANEL	WDHC - S1
HORIZONTAL 9/16" (15mm)	UNDER EAVES		MAR 18 2008

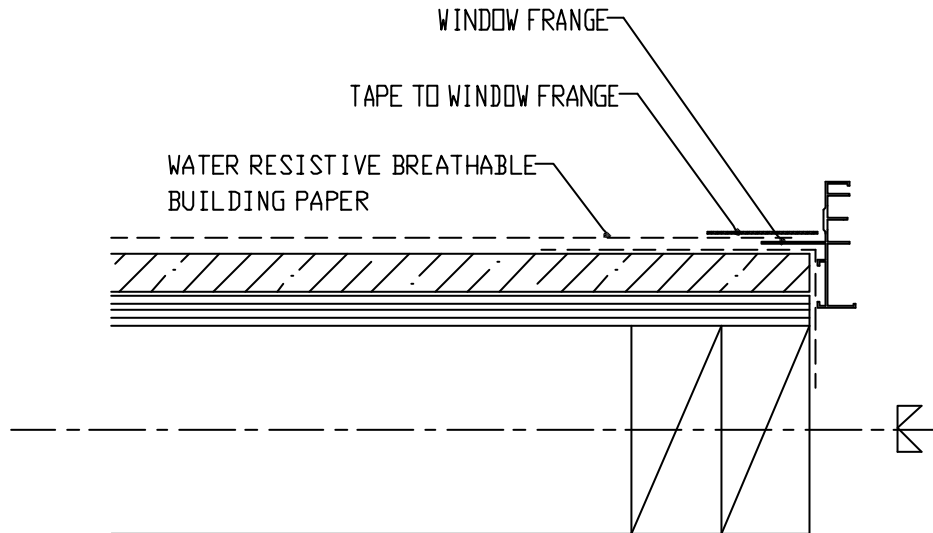
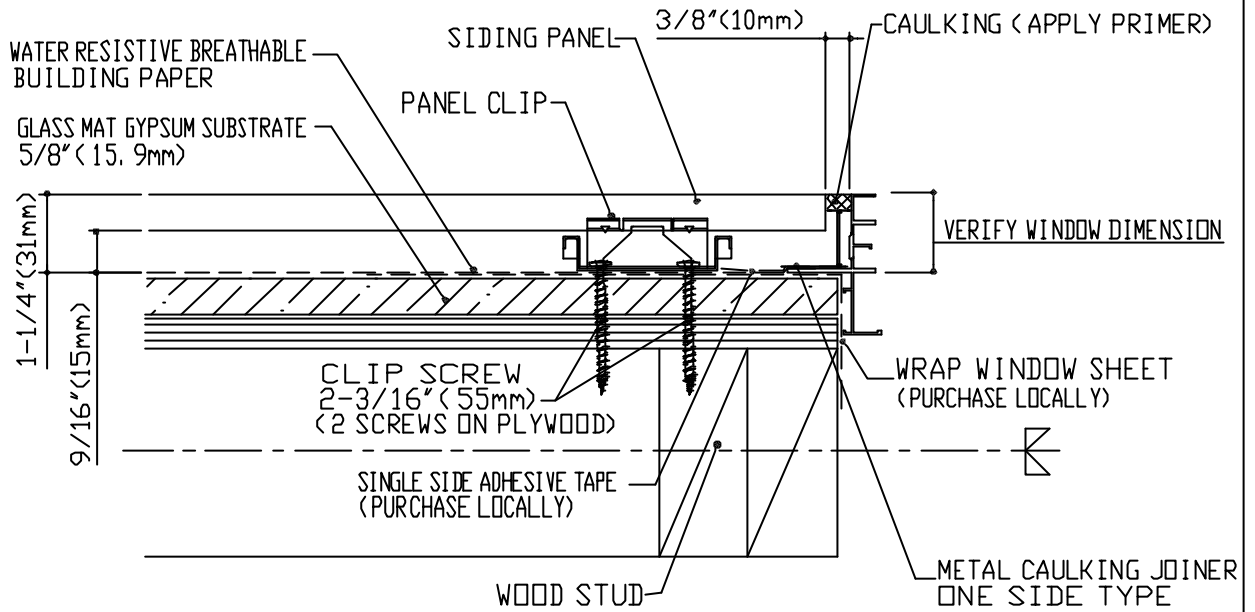


CERACLAD SIDING PANEL(16mm)	INSTALLATION DETAIL	10FT CAULKING JOINT PANEL	WDHC-M2
HORIZONTAL 9/16"(15mm)	THROUGH WALL FLASHING		DEC 19 2008



CERACLAD SIDING PANEL (16mm)	INSTALLATION DETAIL	10FT CAULKING JOINT PANEL	WDHC - WJ3
HORIZONTAL 9/16" (15mm)	WINDOW AND DOOR JAMB (CAULKING)		FEB 29 2008

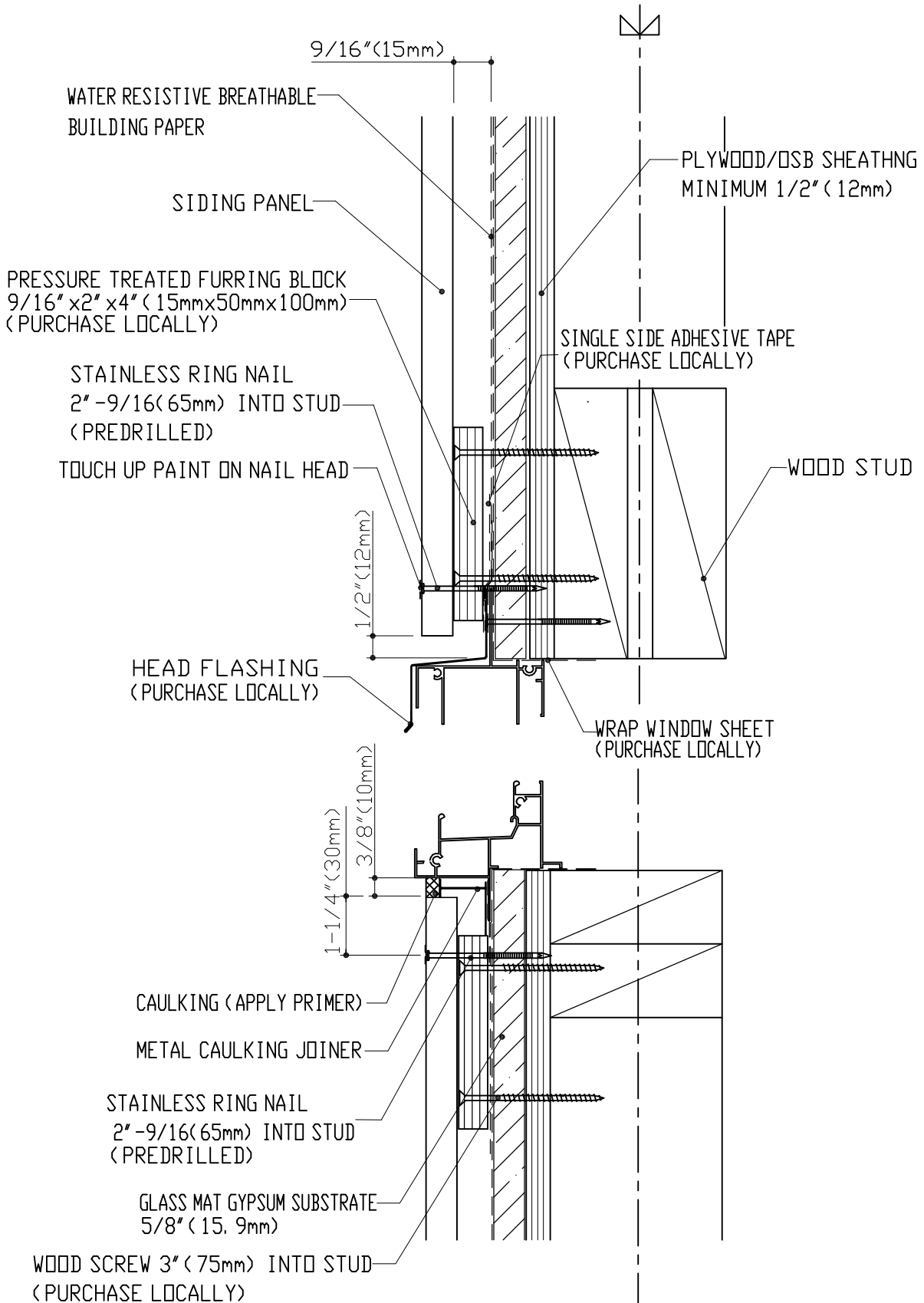
VERIFY WINDOW DIMENSION



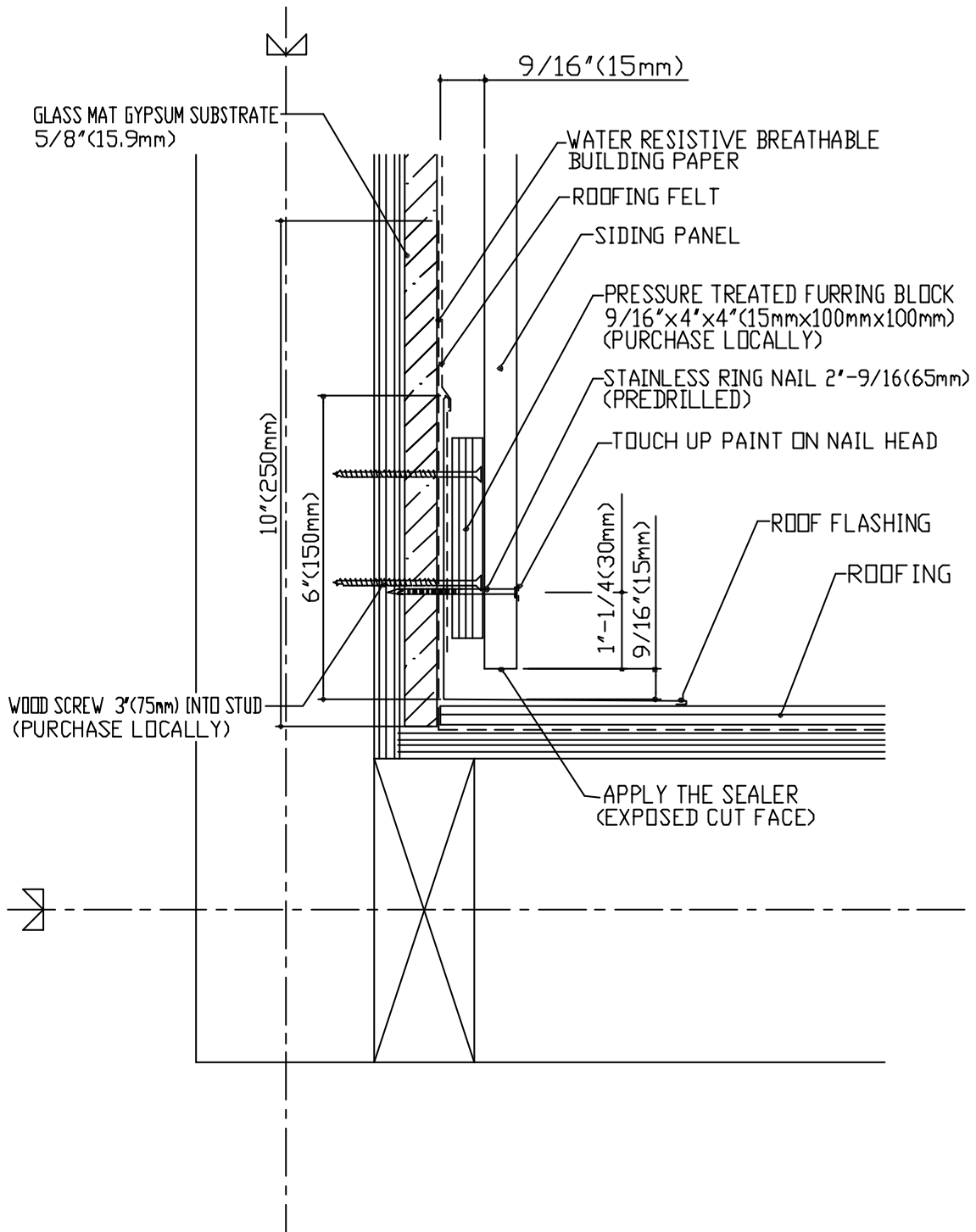


CERACLAD SIDING PANEL(16mm)	INSTALLATION DETAIL	10FT CAULKING JOINT PANEL	WDHC-WS3
HORIZONTAL 9/16" (15mm)	WINDOW AND DOOR HEAD AND SILL(CAULKING)		MAR 29 2008

# VERIFY WINDOW DIMENSION

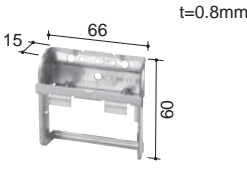
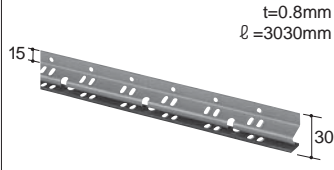
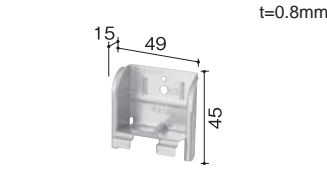


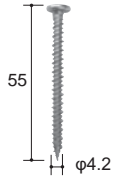
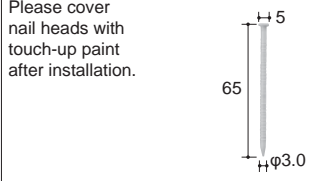
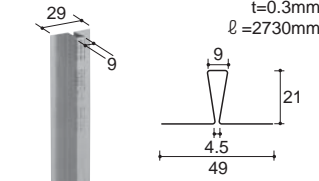
CERACLAD SIDING PANEL (16mm)	INSTALLATION DETAIL	10FT CAULKING JOINT PANEL	WDHC-SL
HORIZONTAL 9/16" (15mm)	LOW SLOPE ROOF AND WALL		FEB 29 2008

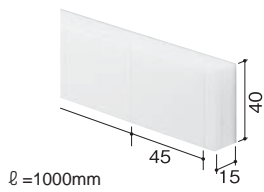




## 8. Horizontal Application (Wood Structure / Glass Mat Gypsum) Details

### <1> Siding Panel Installation Accessories

	Clips for Rain Screen Exterior Siding System		
	Panel Clip	Starter Bar	Corner Clip
Product No	B1015	B10152J	RE10153
Product			
Minimum Quantity to Order	30 pieces/bag	10 pieces/box	20 pieces/bag
	10 bags/box		10 bags/large box
Material	Galvanized Steel	Galvanized Steel	Galvanized Steel

	Clip Screw	Stainless Nail	Metal Caulking Joiner
Product No	B88553	B8765R400	B277
Product		<p>Please cover nail heads with touch-up paint after installation.</p> 	
Minimum Quantity to Order	200 pieces/box	40 pieces/bag	15 pieces/box
Material	Stainless Steel	Stainless Steel	Alloy Plated Steel

	Spacer Block	Repair Putty	Repair Paint
Product No	RY82S15	B4901	
Product			
Minimum Quantity to Order	22 blocks per strip	1 piece	1 set/box
	6 strips per box		
Material	Polypropylene		