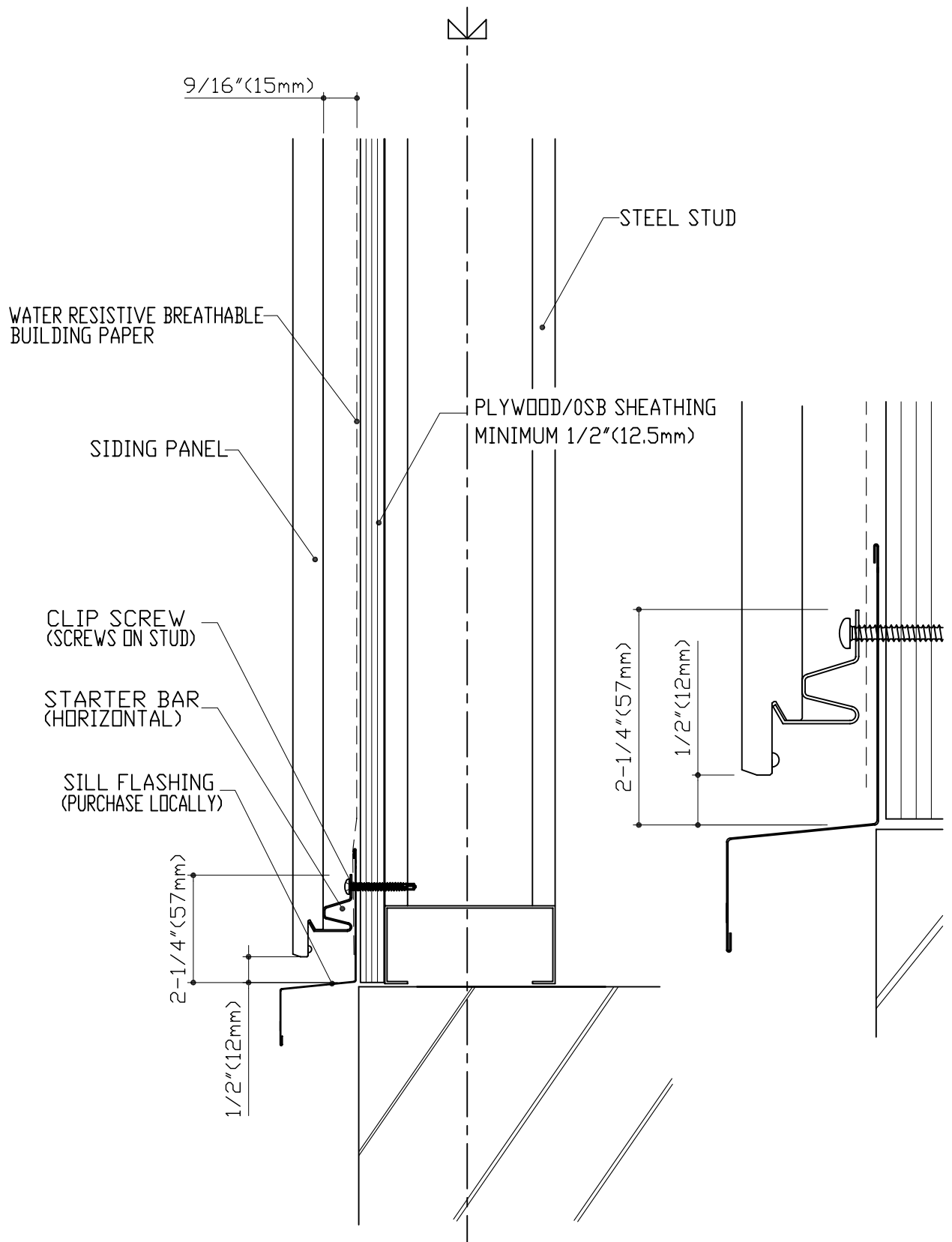
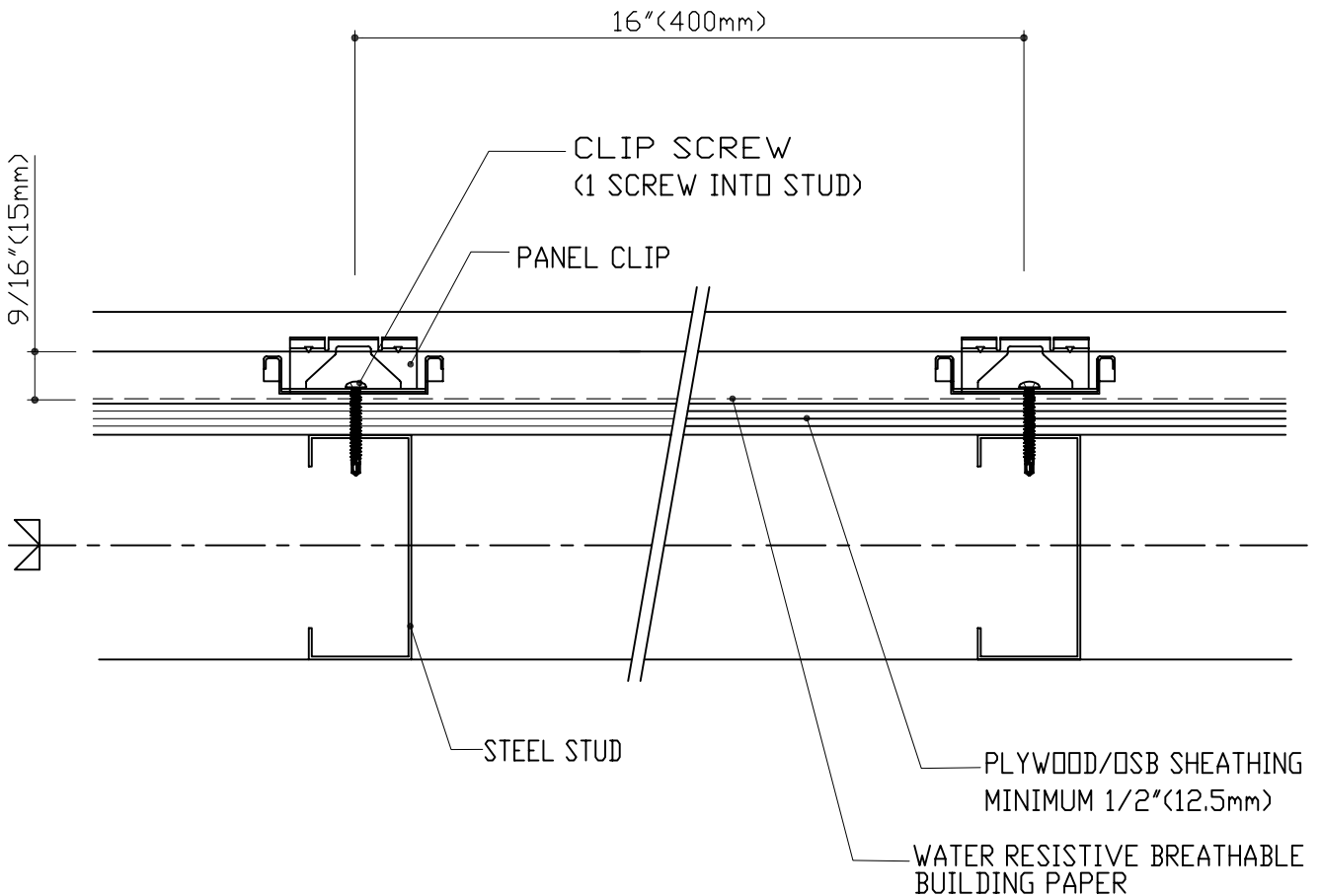
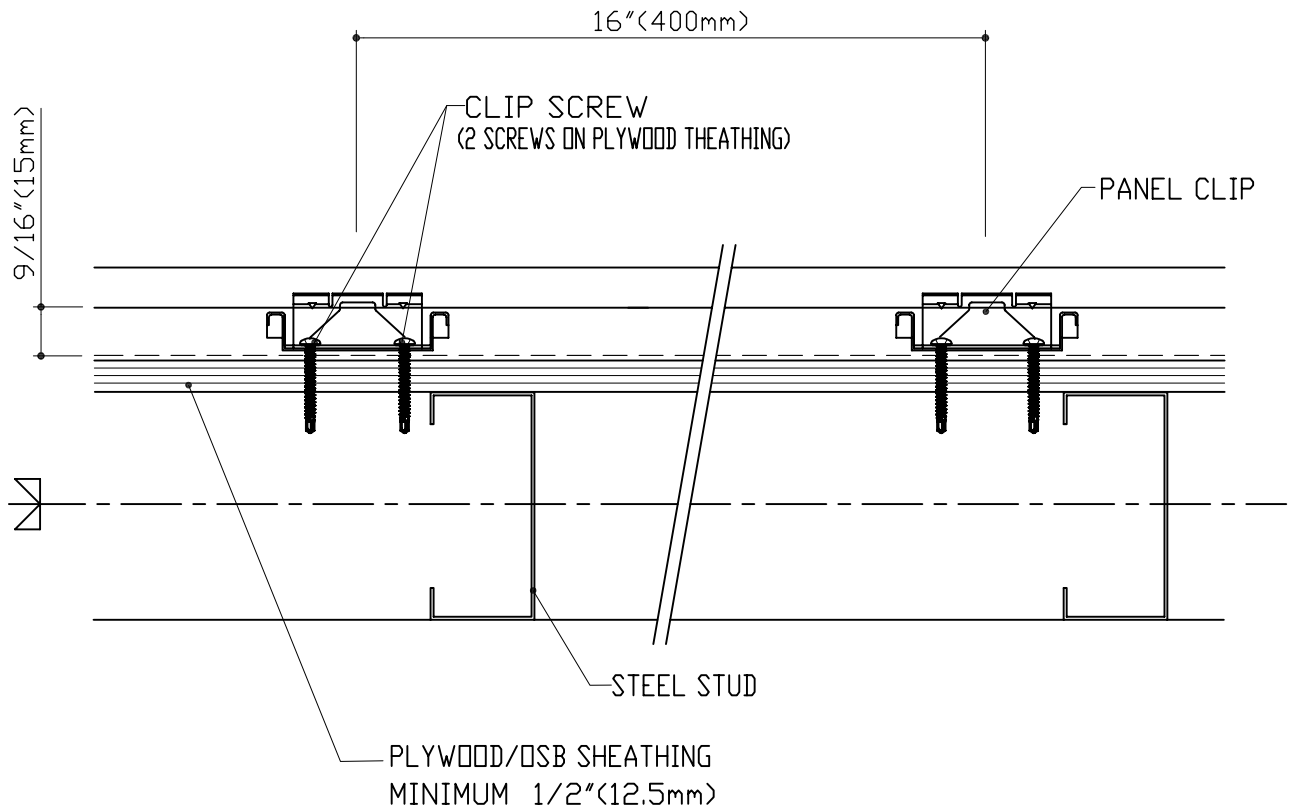


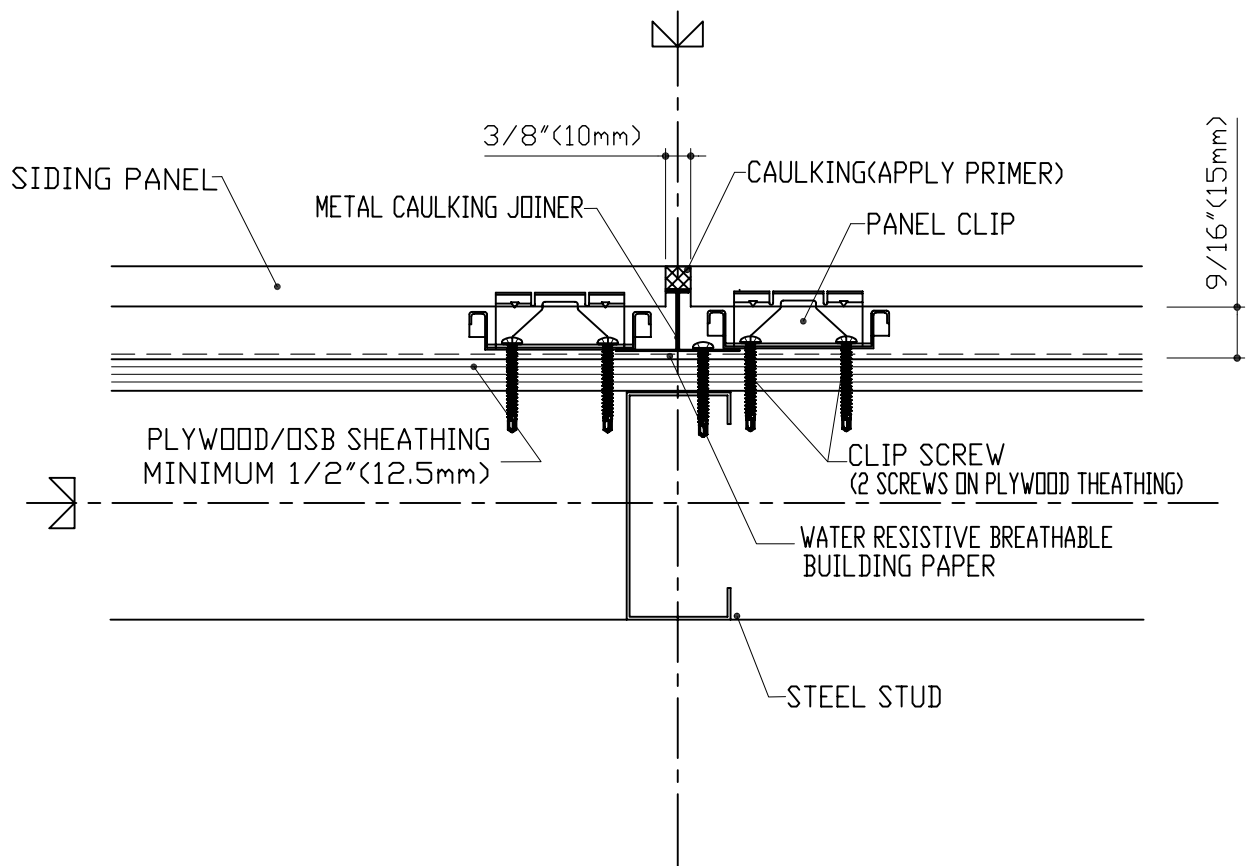
CERACLAD SIDING PANEL (16mm)	INSTALLATION DETAIL	10FT CAULKING JOINT PANEL	SHC - G1
HORIZONTAL 9/16" (15mm)	STARTER BAR (STEEL STUD)		MAY 30 2008



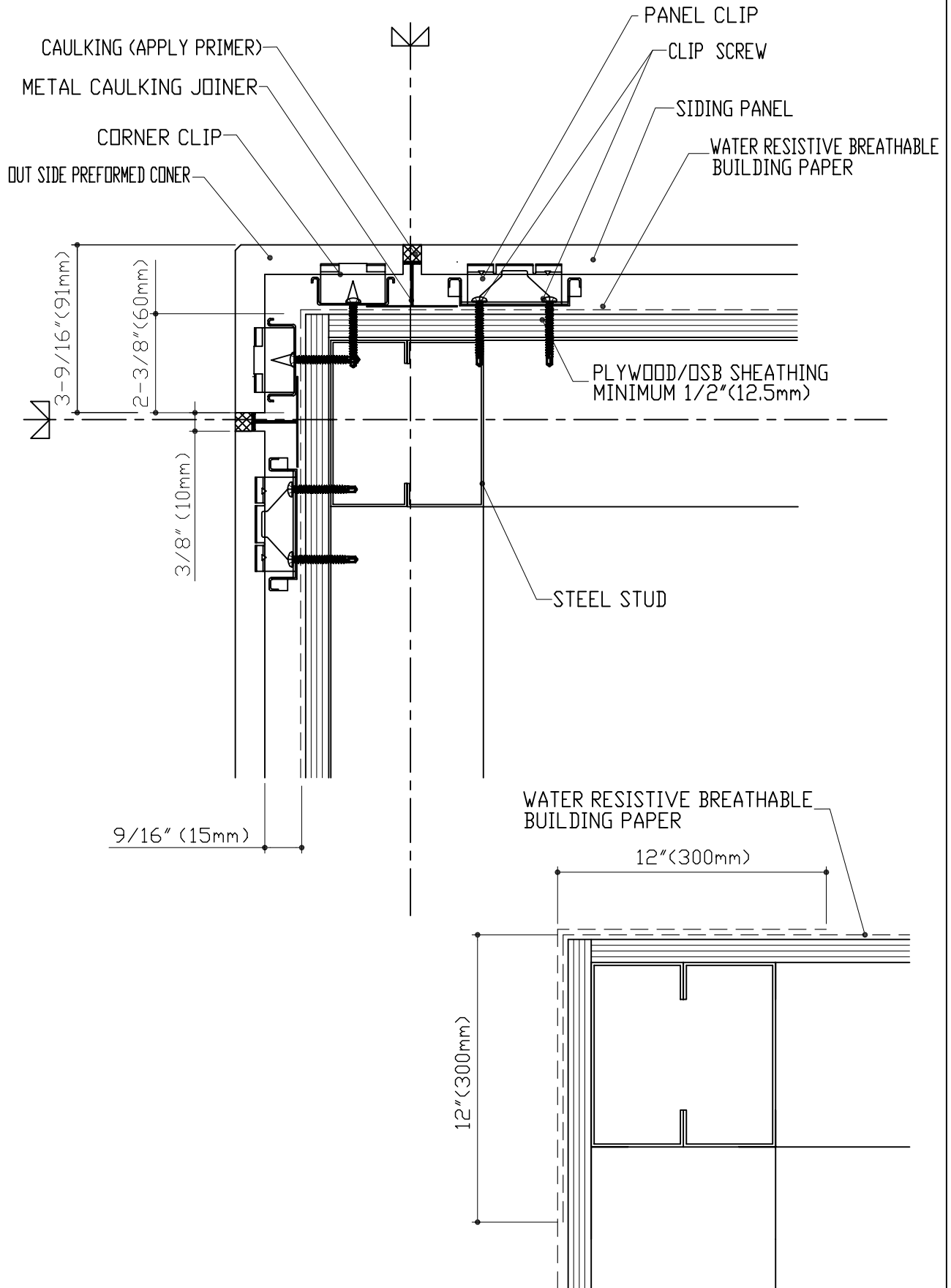
CERACLAD SIDING PANEL(16mm)	INSTALLATION DETAIL	10FT CAULKING JOINT PANEL	SHC-HJ2
HORIZONTAL 9/16"(15mm)	HORIZONTAL JOINT (HORIZONTAL SECTION) (STEEL STUD)		MAY 30 2008



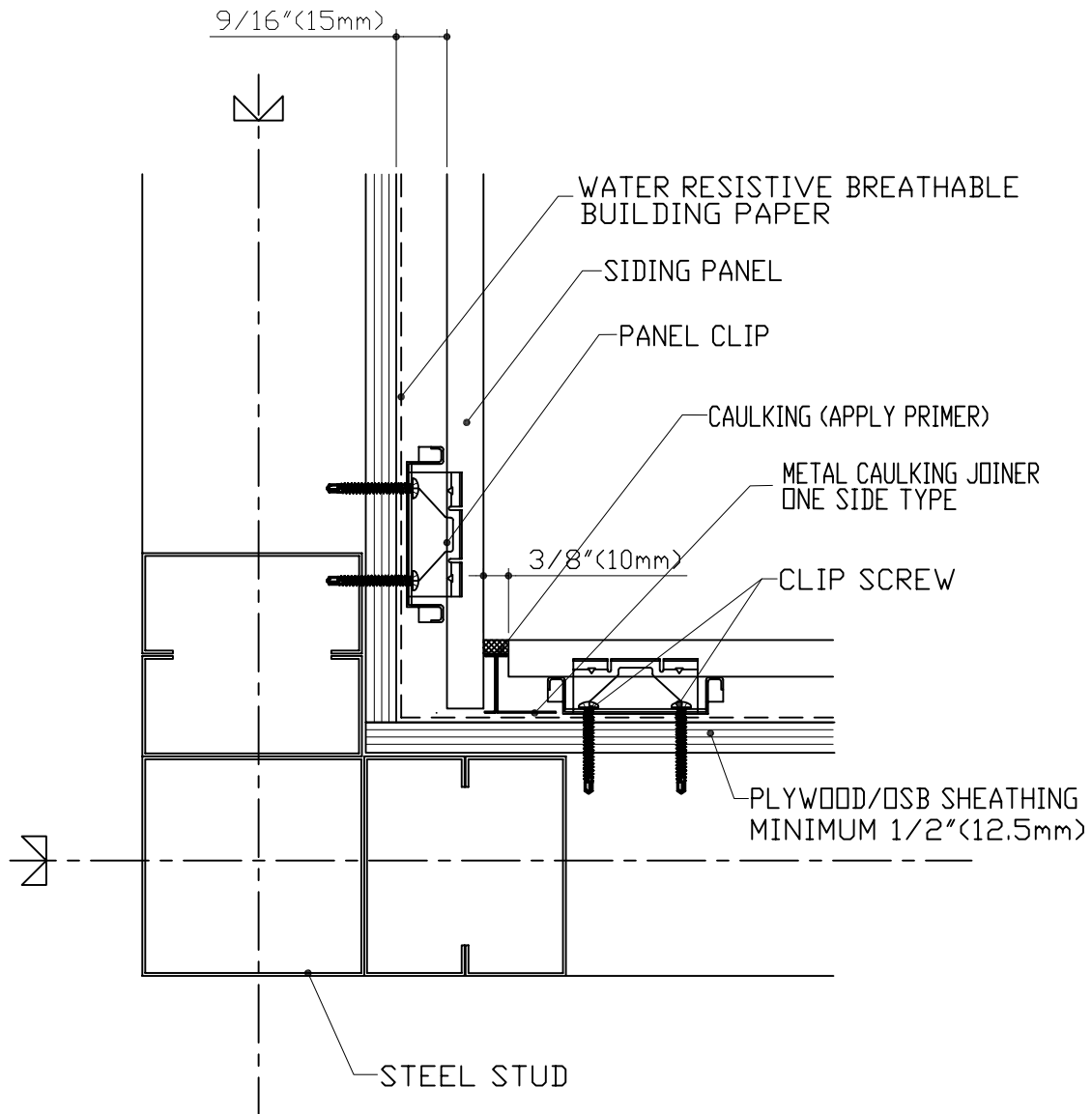
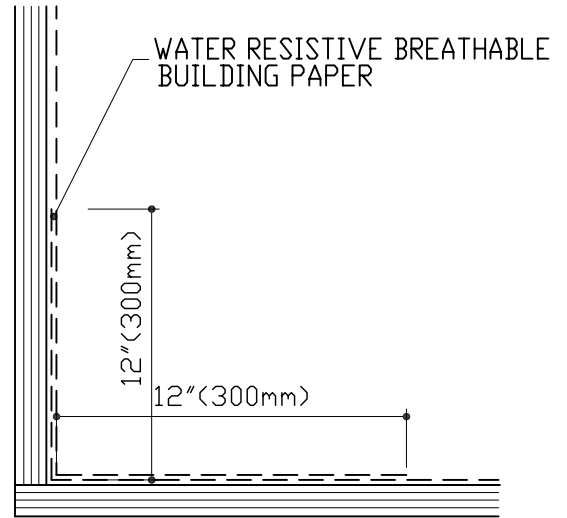
CERACLAD SIDING PANEL (16mm)	INSTALLATION DETAIL	10FT CAULKING JOINT PANEL	SHC - V J1
HORIZONTAL 9/16" (15mm)	PANEL CAULKING JOINT (STEEL STUD)		MAY 30 2008



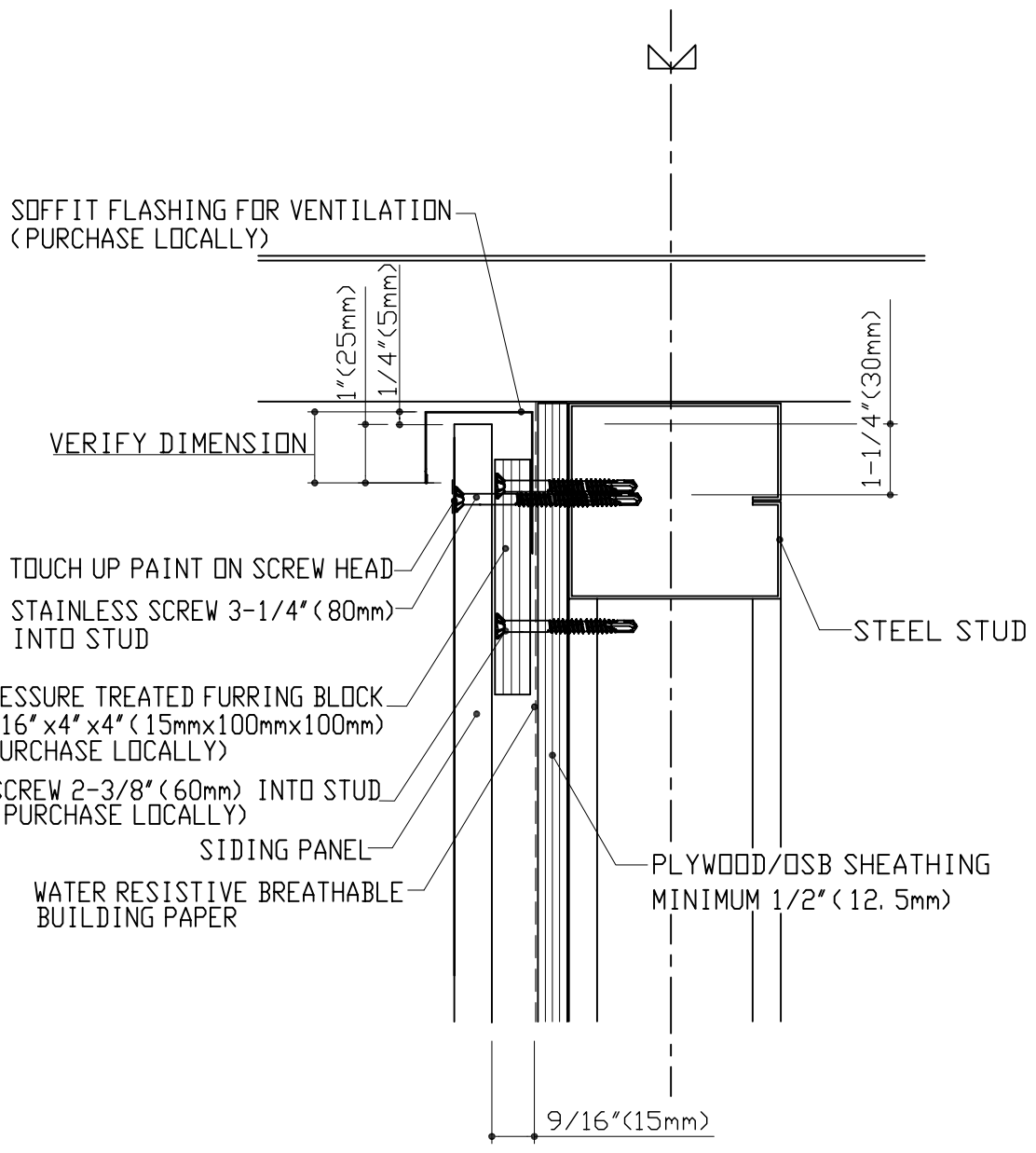
CERACLAD SIDING PANEL (16mm)	INSTALLATION DETAIL	10FT CAULKING JOINT PANEL	SHC - 01
HORIZONTAL 9/16" (15mm)	OUTSIDE PREFORMED CORNER (STEEL STUD)		MAY 30 2008



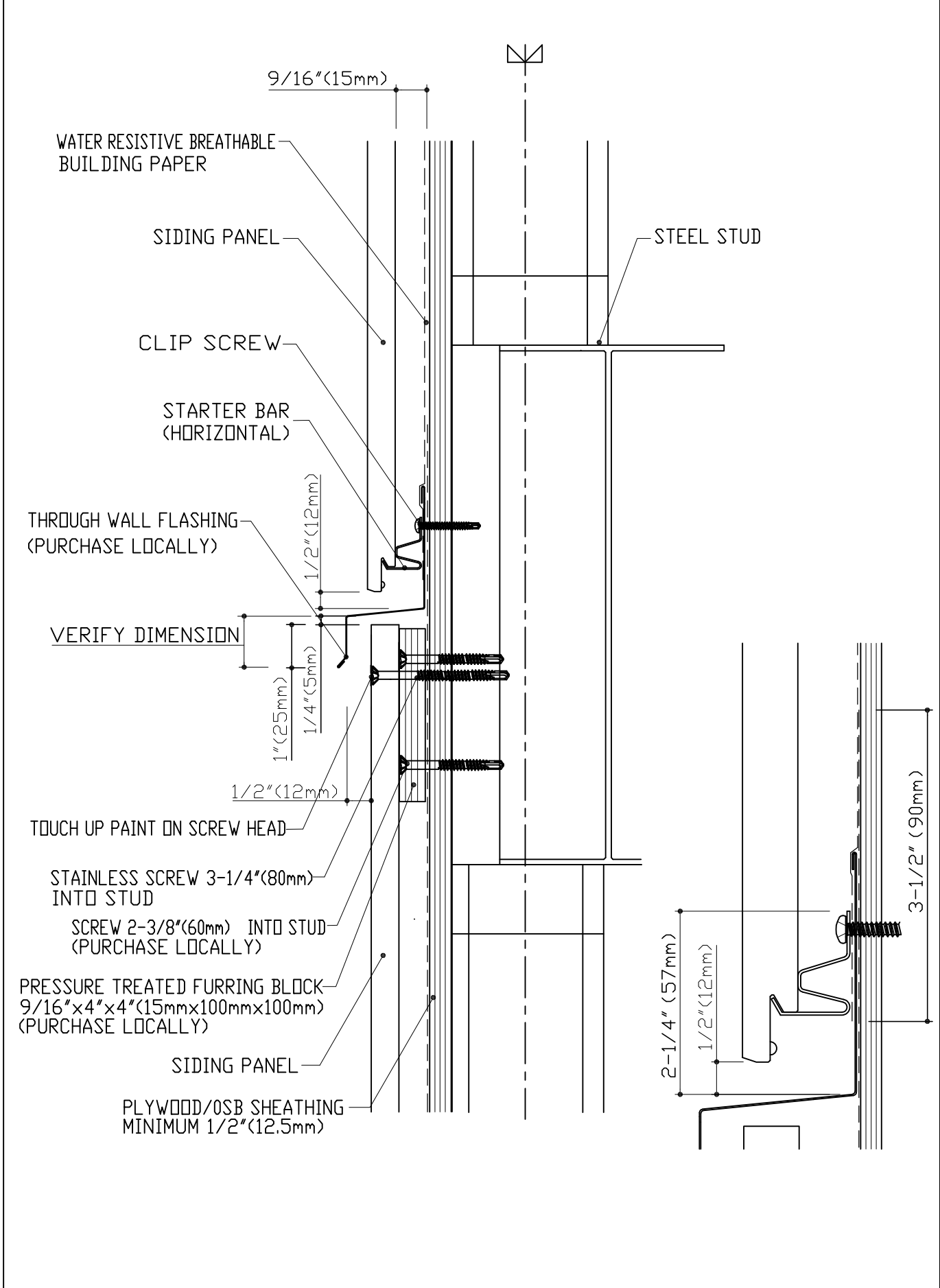
CERACLAD SIDING PANEL (16mm)	INSTALLATION DETAIL	10FT CAULKING JOINT PANEL	SHC - I1
HORIZONTAL 9/16" (15mm)	INSIDE CORNER (STEEL STUD)		MAY 30 2008



CERACLAD SIDING PANEL (16mm)	INSTALLATION DETAIL	10FT CAULKING JOINT PANEL	SHC - S1
HORIZONTAL 9/16" (15mm)	UNDER EAVES (STEEL STUD)		MAY 30 2008

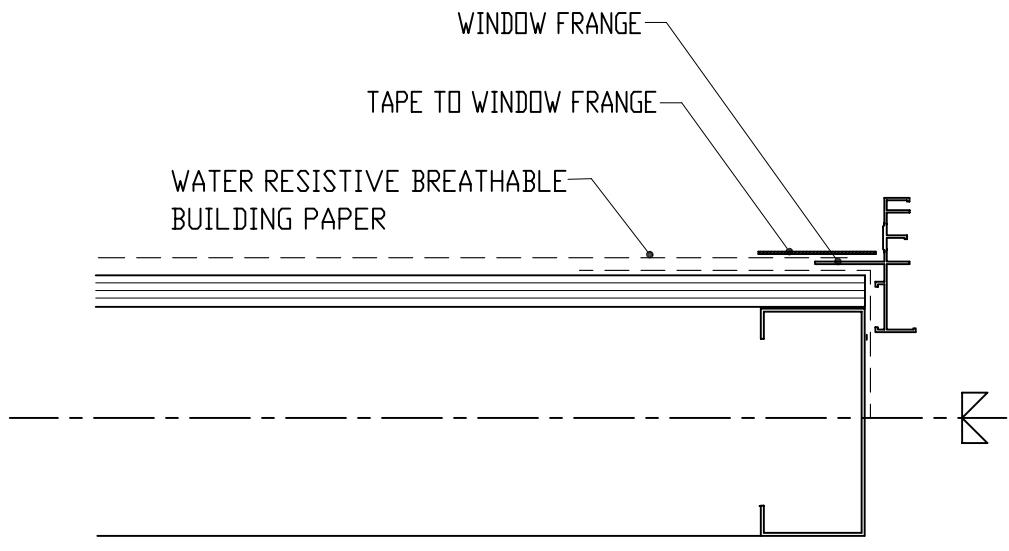
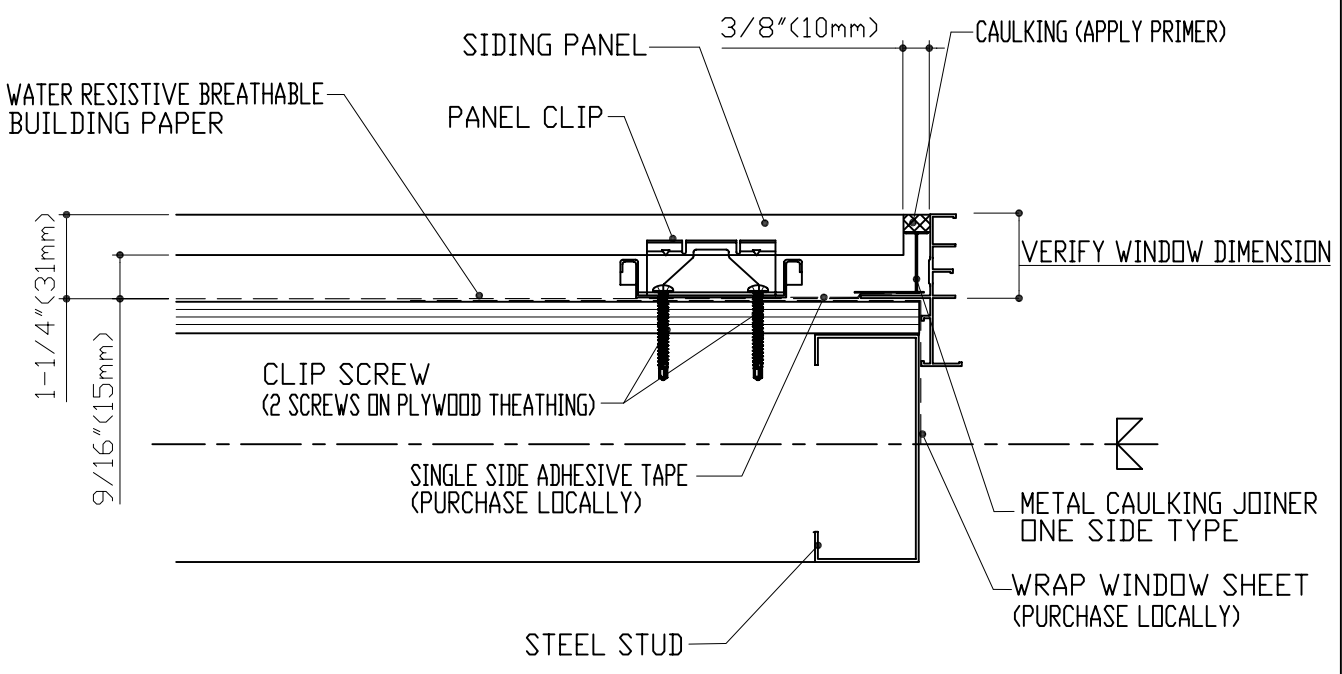


CERACLAD SIDING PANEL (16mm)	INSTALLATION DETAIL 10FT CAULKING JOINT PANEL	SHC-M1
HORIZONTAL 9/16"(15mm)	THROUGH WALL FLASHING (STEEL STUD)	DEC 19 2008



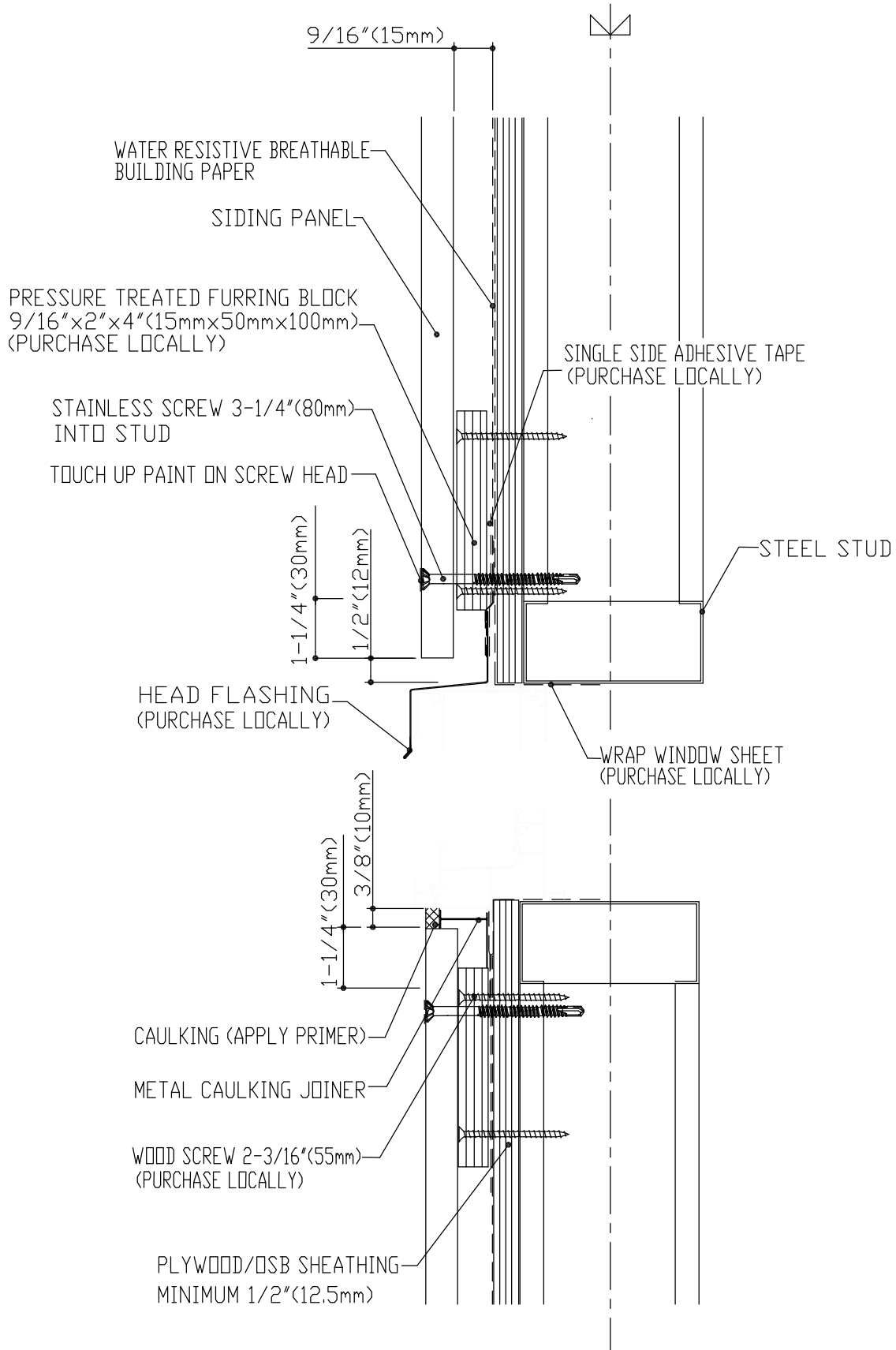
CERACLAD SIDING PANEL (16mm)	INSTALLATION DETAIL	10FT CAULKING JOINT PANEL	SHC-WJ3
HORIZONTAL 9/16" (15mm)	WINDOW AND DOOR JAMB (CAULKING) (STEEL STUD)		MAY 30 2008

VERIFY WINDOW DIMENSION

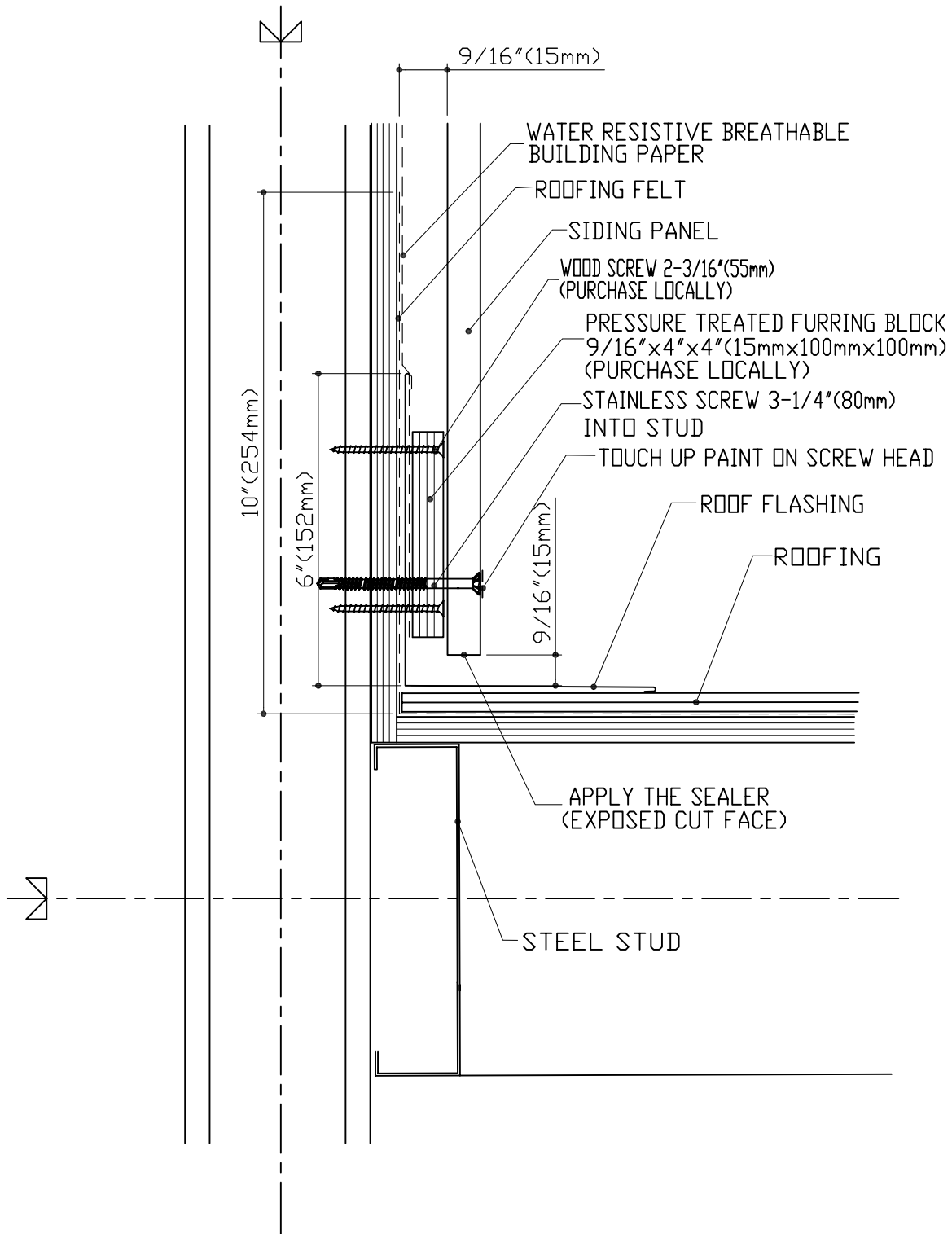


CERACLAD SIDING PANEL (16mm)	INSTALLATION DETAIL	10FT CAULKING JOINT PANEL	SHC-WS3
HORIZONTAL 9/16"(15mm)	WINDOW AND DOOR HEAD AND SILL(CAULKING) (STEEL STUD)		MAY 30 2008

VERIFY WINDOW DIMENSION

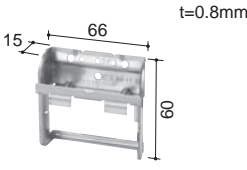
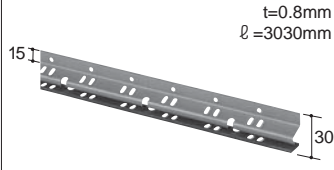
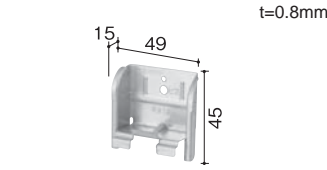


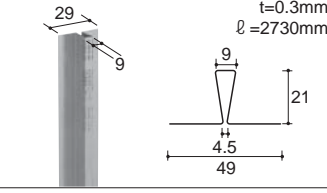
CERA CLAD SIDING PANEL (16mm)	INSTALLATION DETAIL	10FT CAULKING JOINT PANEL	SHC-SL
HORIZONTAL 9/16"(15mm)	LOW SLOPE ROOF AND WALL (STEEL STUD)		MAY 30 2008

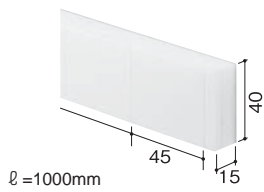




5. Horizontal Application (Steel Structure) Instructions and Details

<1> Siding Panel Installation Accessories

	Clips for Rain Screen Exterior Siding System		
	Panel Clip	Starter Bar	Corner Clip
Product No	B1015	B10152J	RE10153
Product			
Minimum Quantity to Order	30 pieces/bag	10 pieces/box	20 pieces/bag
	10 bags/box		10 bags/large box
Material	Galvanized Steel	Galvanized Steel	Galvanized Steel

	Clip Screw	Stainless Screw	Metal Caulking Joiner
Product No	Purchase locally	Purchase locally	B277
Product	#8(4.2mm)×1-3/8"(35mm)	Please cover nail heads with touch-up paint after installation. #8(4.2mm)×2-9/16"(65mm)	
Minimum Quantity to Order			15 pieces/box
Material	Stainless Steel	Stainless Steel	Alloy Plated Steel

	Spacer Block	Repair Putty	Repair Paint
Product No	RY82S15	B4901	
Product			
Minimum Quantity to Order	22 blocks per strip	1 piece	1 set/box
	6 strips per box		
Material	Polypropylene		