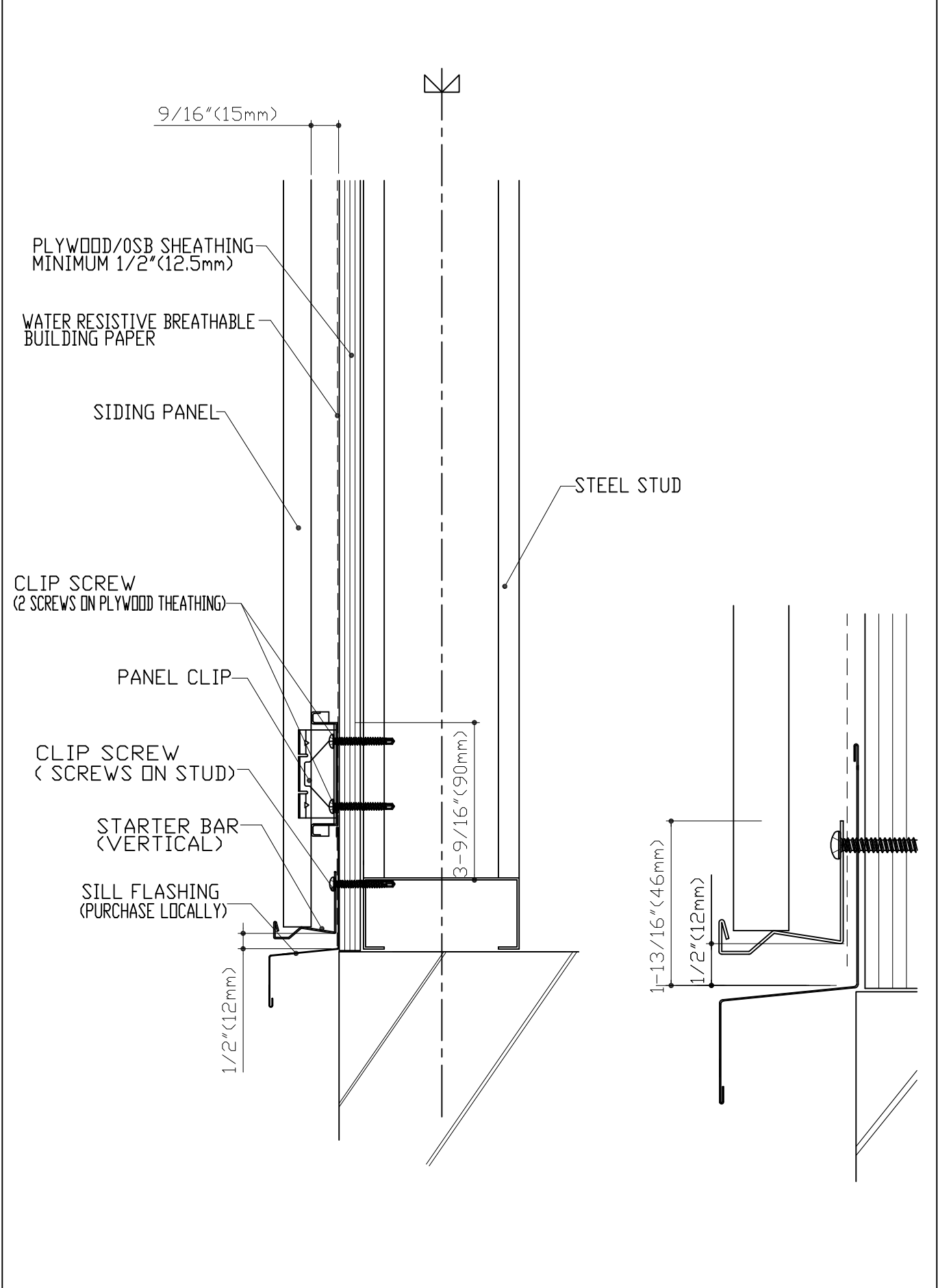
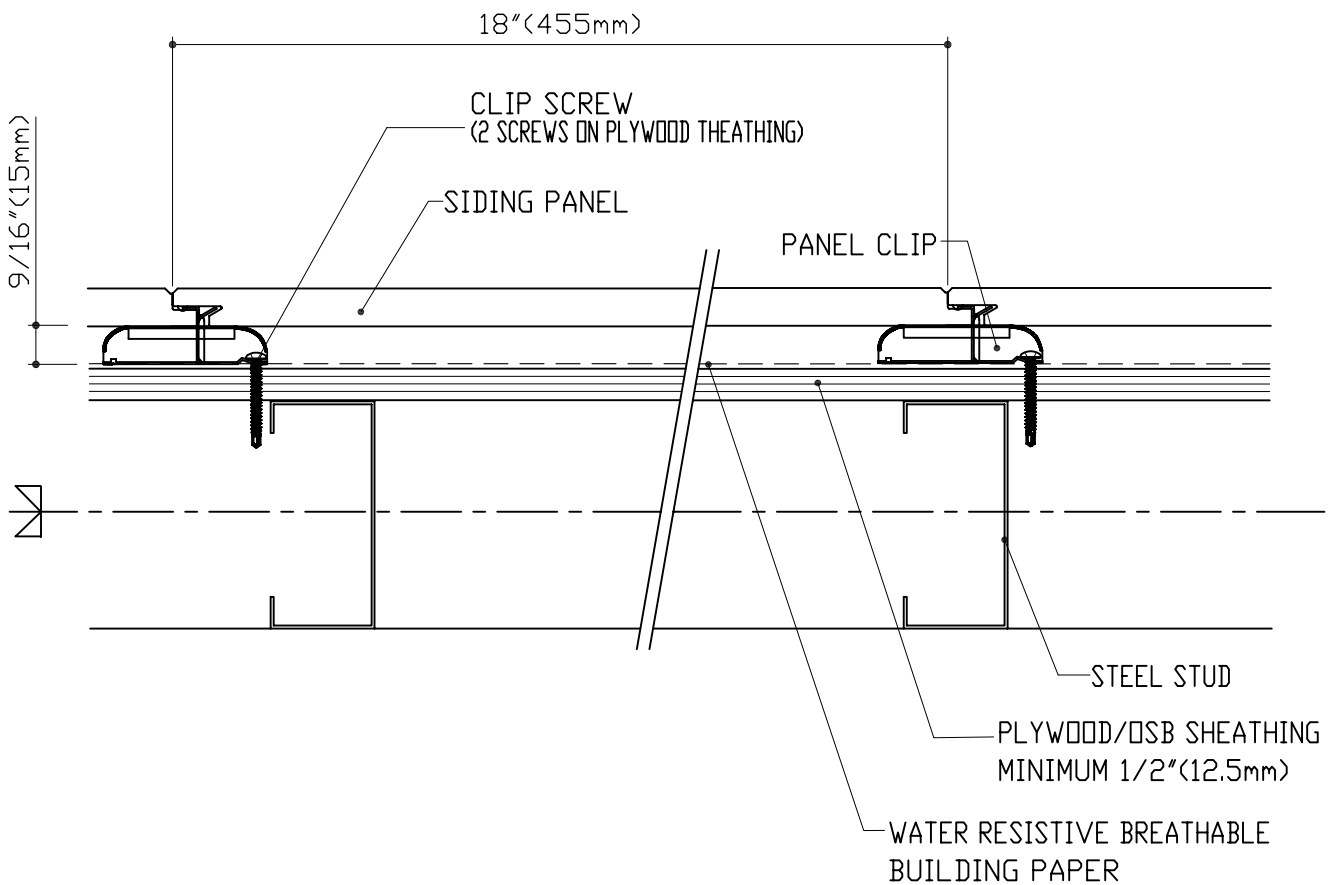
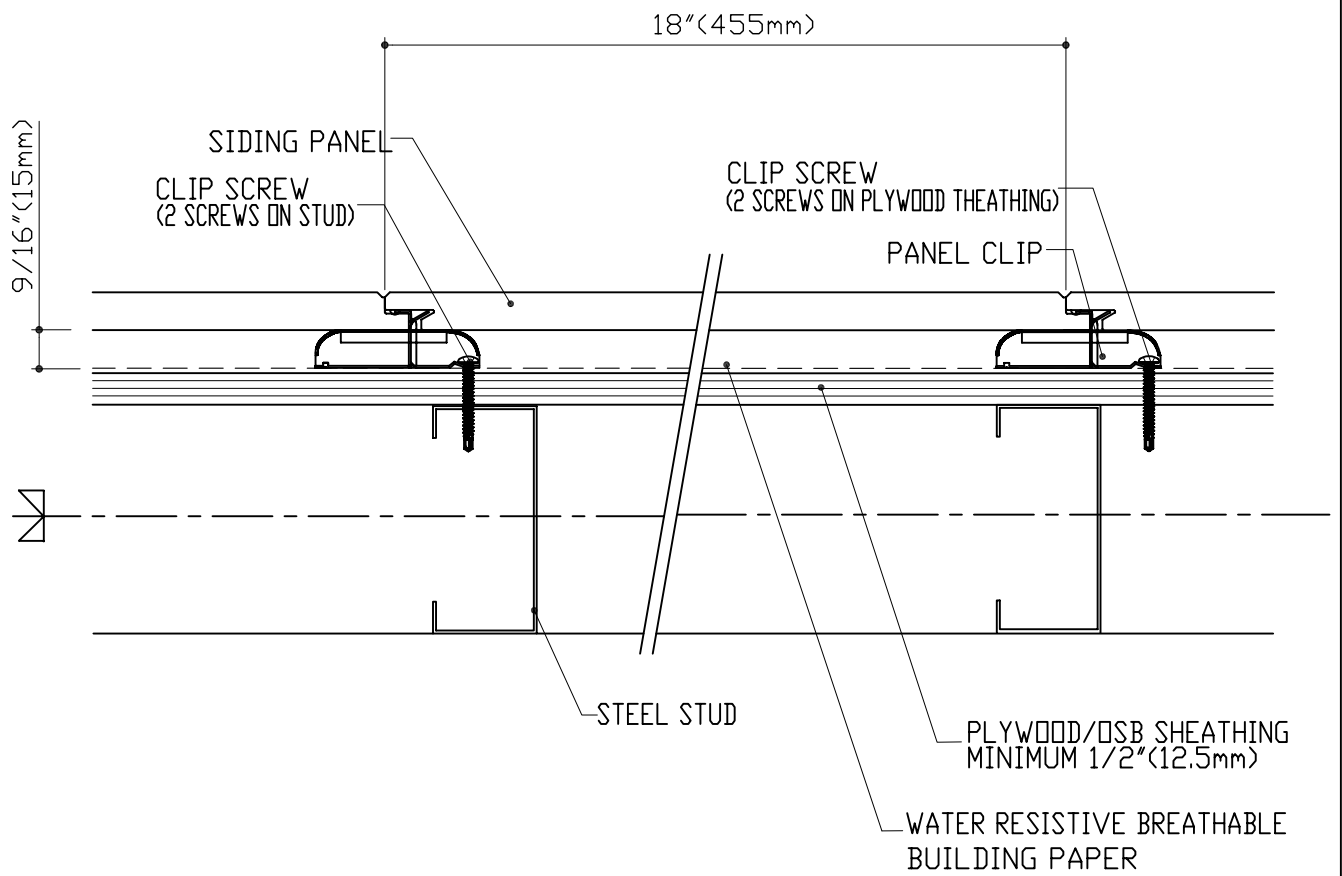


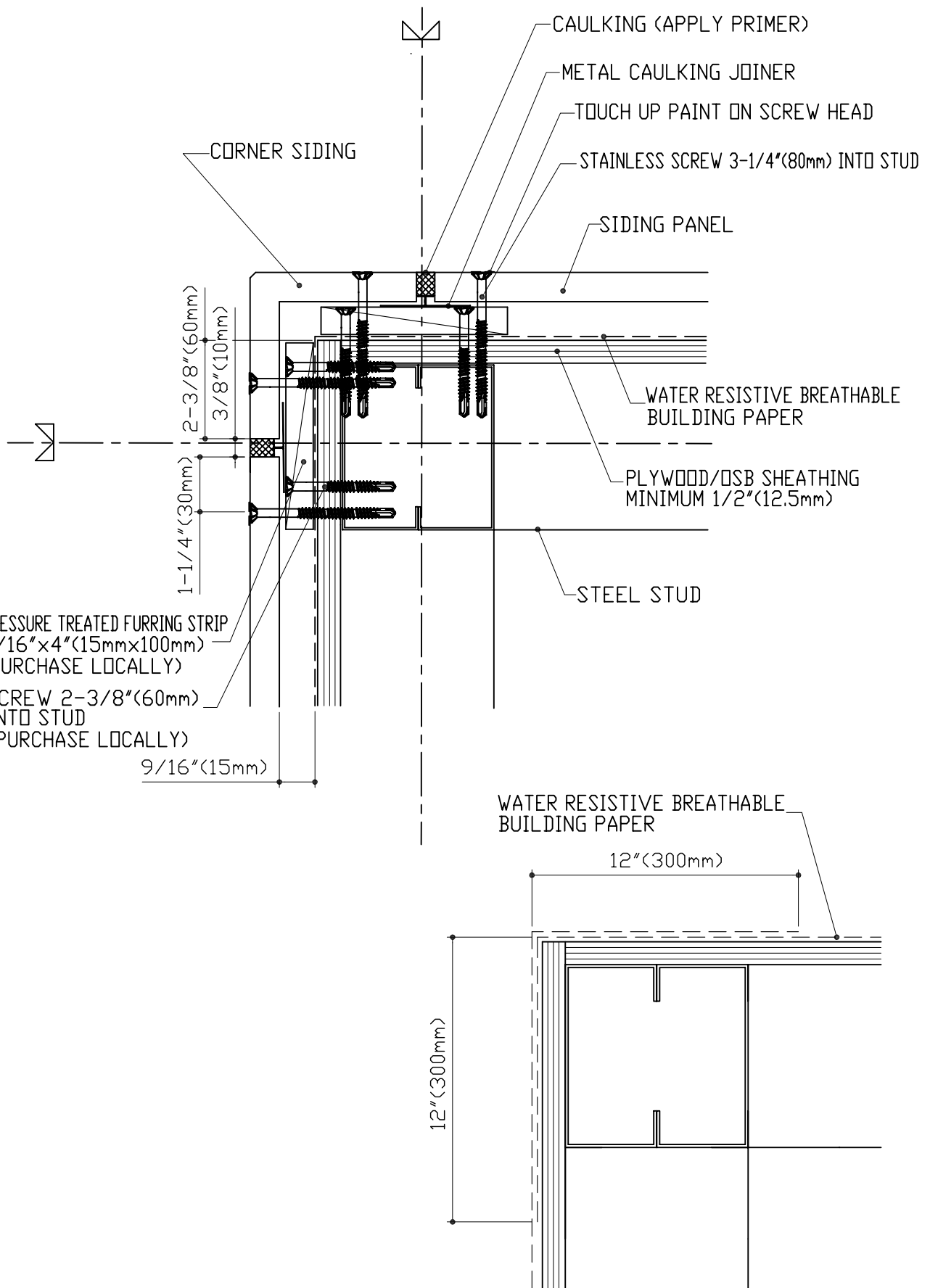
CERACLAD SIDING PANEL (16mm)	INSTALLATION DETAIL	10FT COULKING JOINT PANEL	SVC - G1
VERTICAL 9/16" (15mm)	STARTER BAR (STEEL STUD)		JAN 16 2013



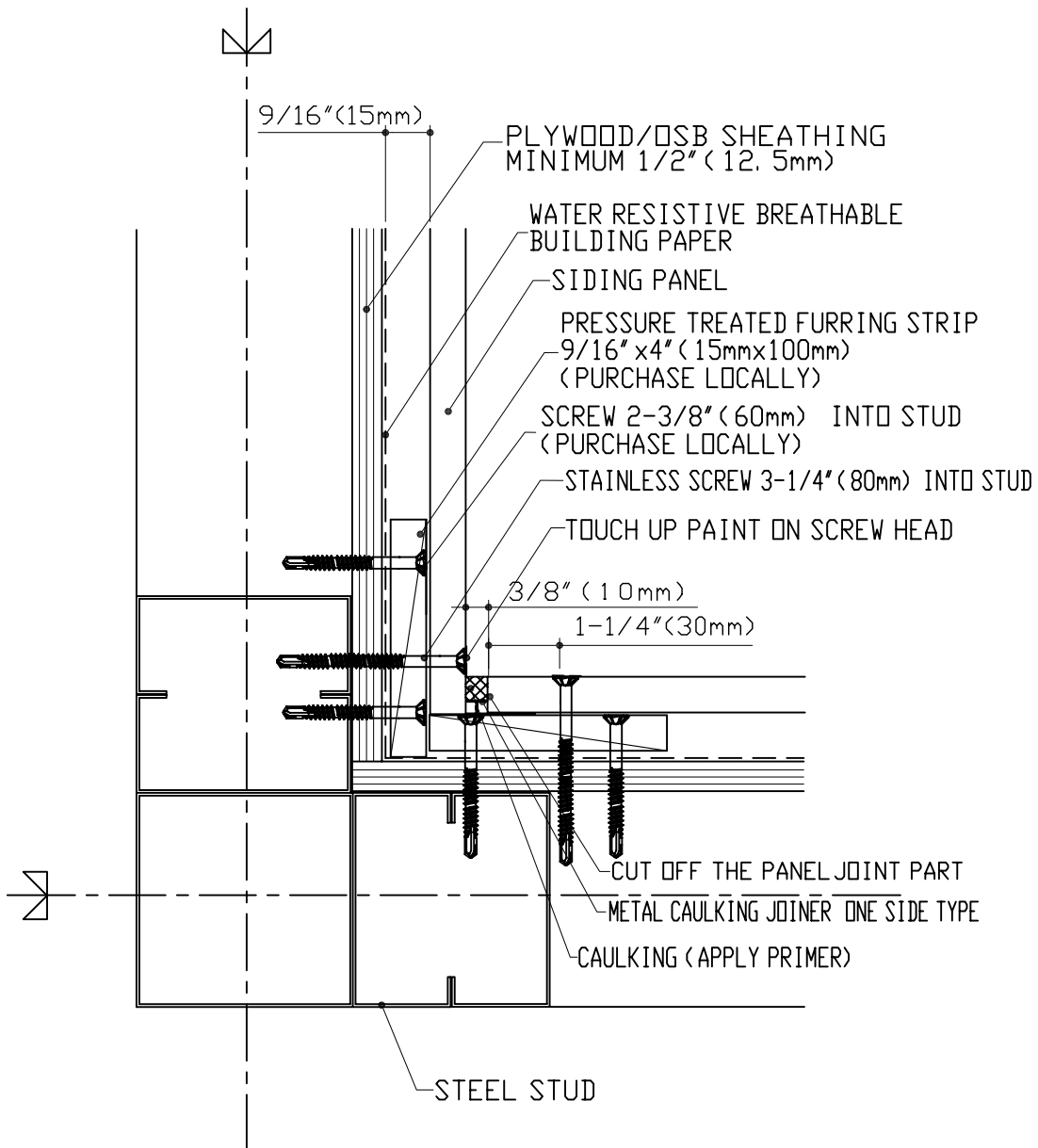
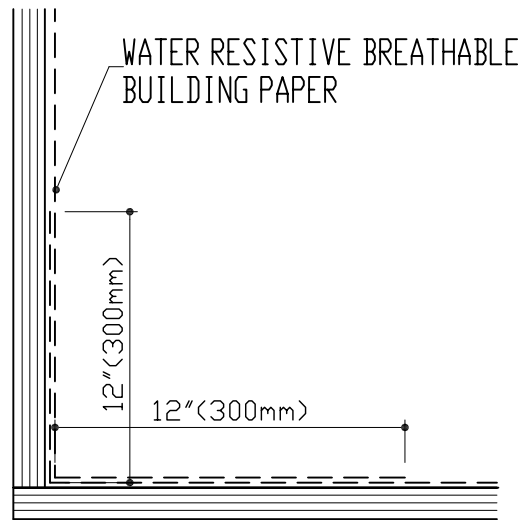
CERACLAD SIDING PANEL(16mm)	INSTALLATION DETAIL	10FT CAULKING JOINT PANEL	SVC-VJ2
VERTICAL 9/16"(15mm)	PANEL VERTICAL JOINT(HORIZONTAL SECTION)		MAY 30 2008



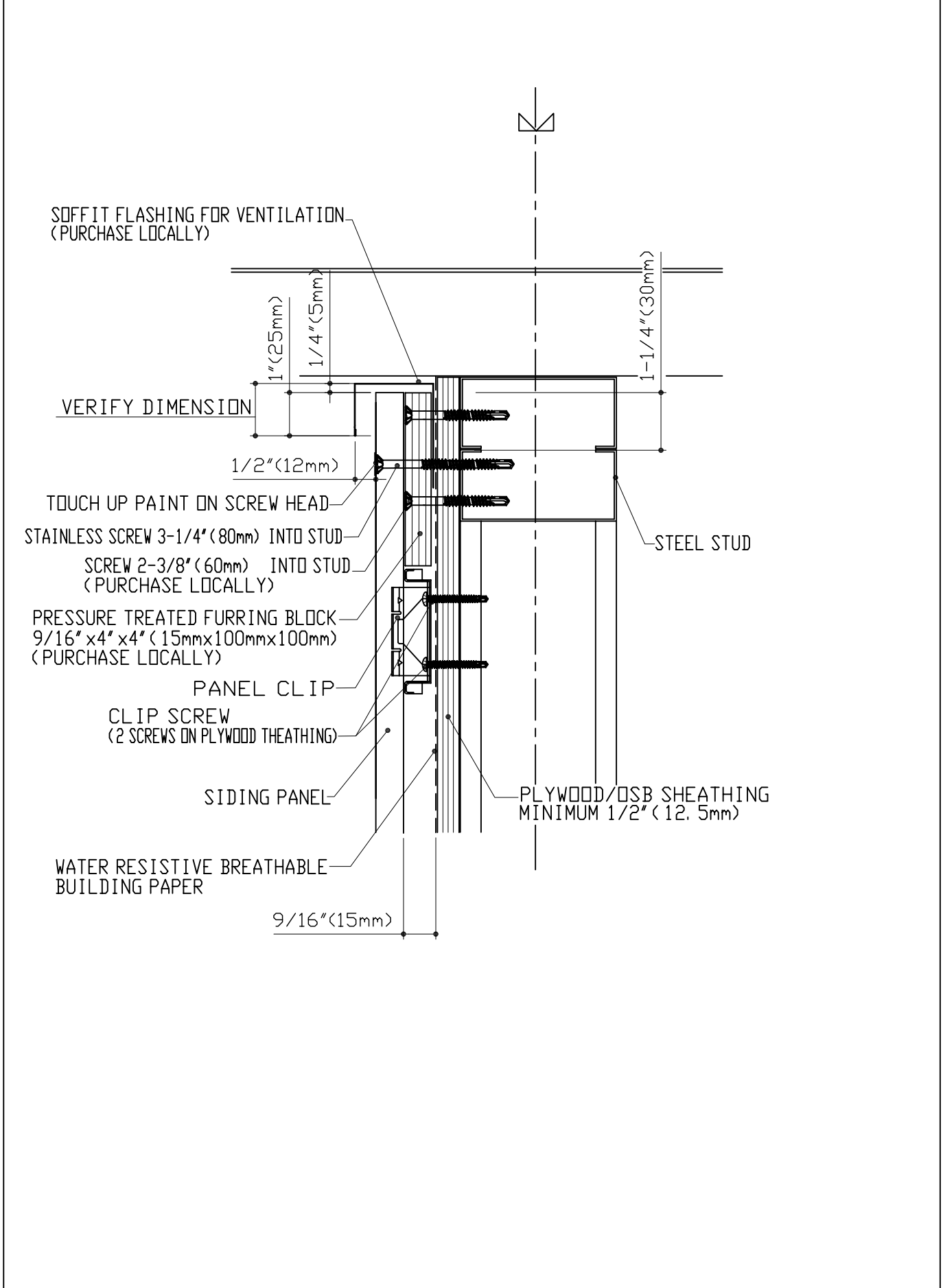
CERACLAD SIDING PANEL (16mm)	INSTALLATION DETAIL	10FT COULKING JOINT PANEL	SVC-01
VERTICAL 9/16" (15mm)	OUT SIDE PREFORMED CORNER (STEEL STUD)		MAY 30 2008



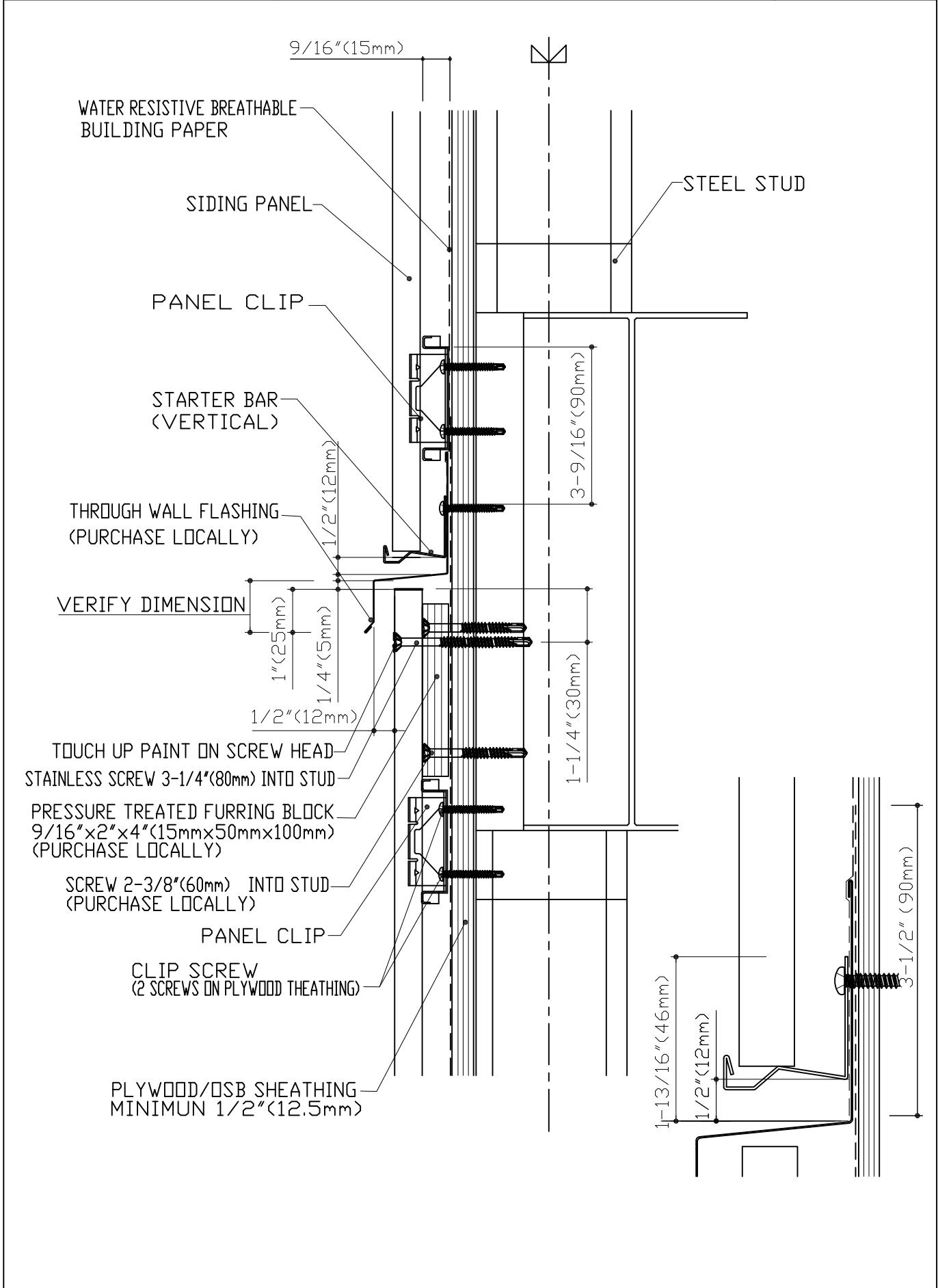
CERACLAD SIDING PANEL (16mm)	INSTALLATION DETAIL	10FT CAULKING JOINT PANEL	SVC-I 1
VERTICAL 9/16" (15mm)	INSIDE CORNER (STEEL STUD)		OCT 28 2008



CERACLAD SIDING PANEL (16mm)	INSTALLATION DETAIL	10FT CAULKING JOINT PANEL	SVC-S1
VERTICAL 9/16" (15mm)	UNDER EAVES (STEEL STUD)		MAY 30 2008

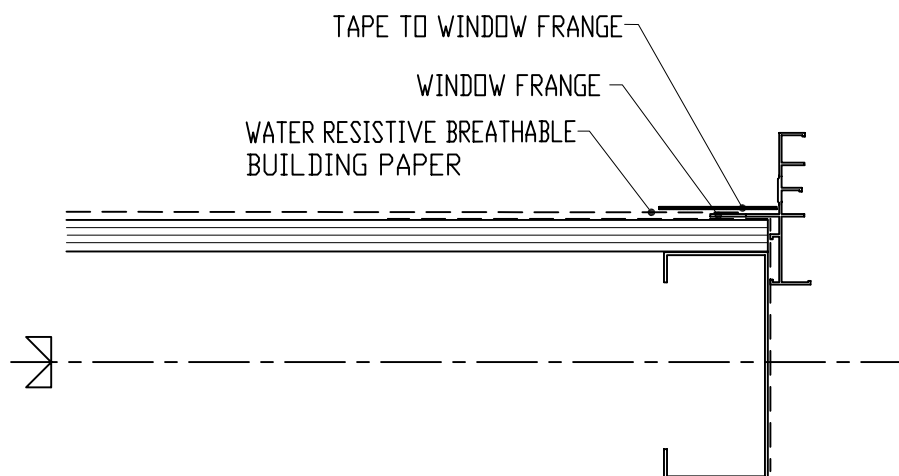
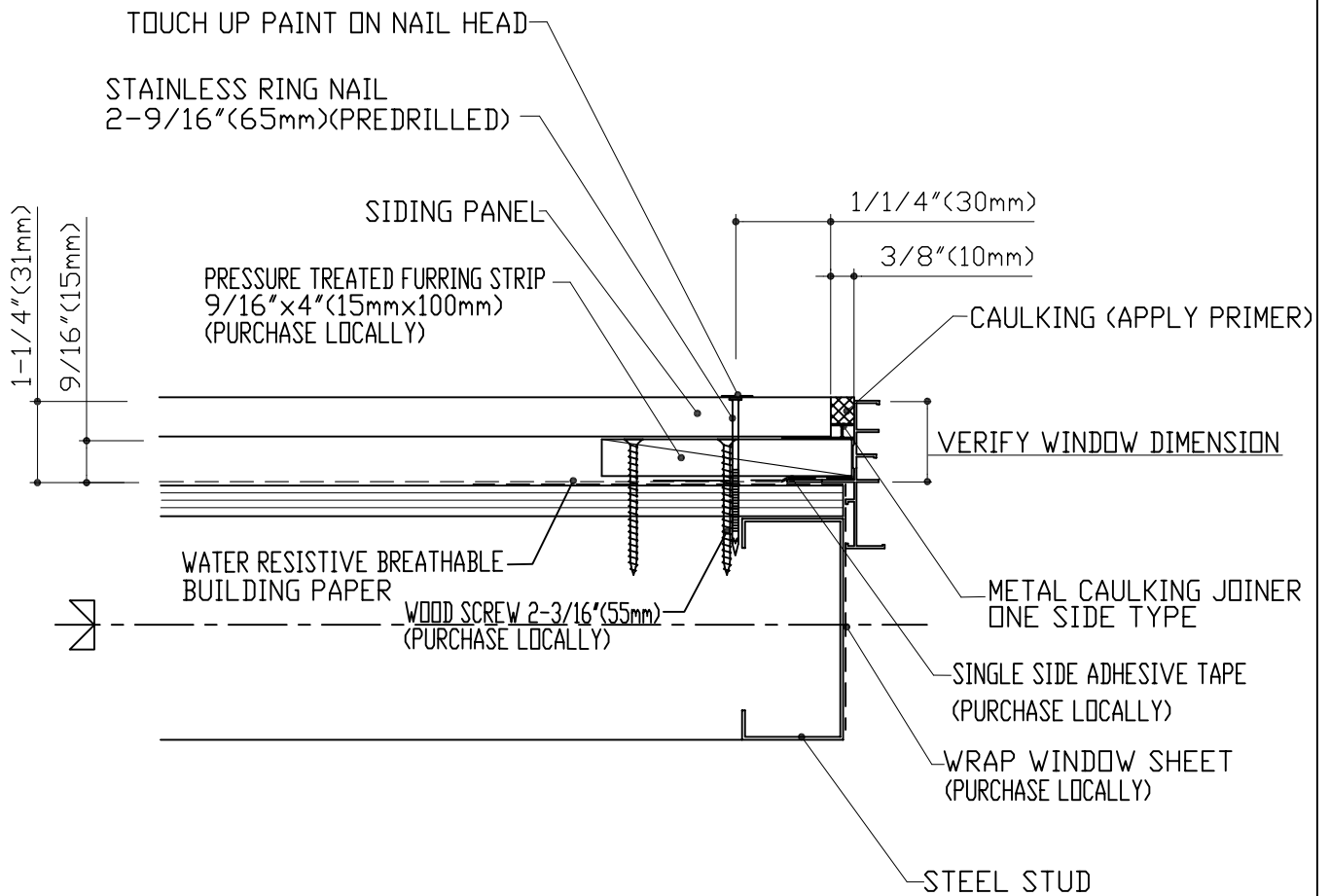


CERACLAD SIDING PANEL (16mm)	INSTALLATION DETAIL	10FT CAULKING JOINT PANEL	SVC-M2
VERTICAL 9/16" (15mm)	THROUGH WALL FLASHING (STEEL STUD)		JAN 16 2013



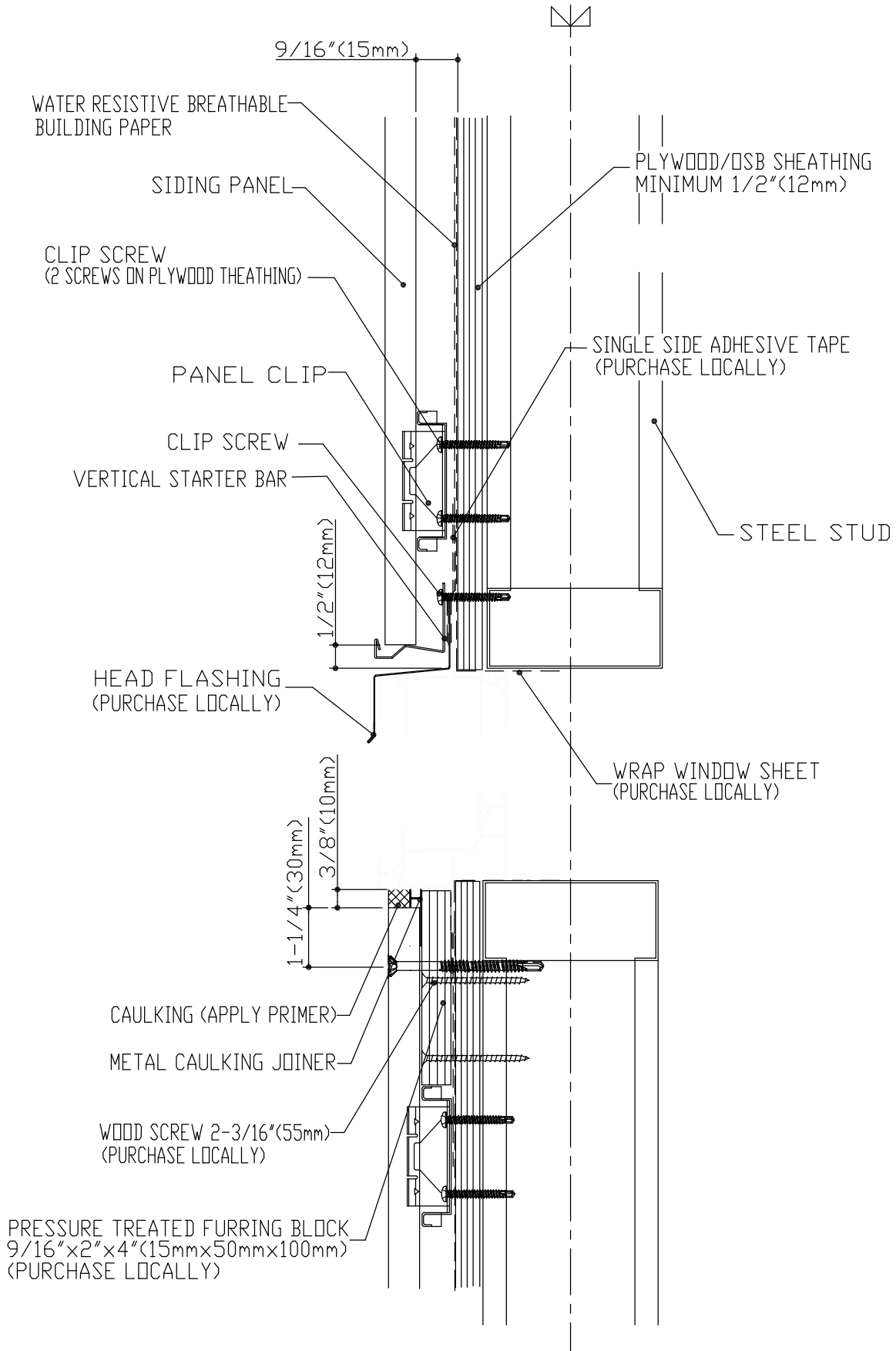
CERACLAD SIDING PANEL(16mm)	INSTALLATION DETAIL	10FT CAULKING JOINT PANEL	SVC-WJ3
VERTICAL 9/16" (15mm)	WINDOW AND DOOR JAMB (CAULKING) (STEEL STUD)		OCT 28 ,2008

## VERIFY WINDOW DIMENSION



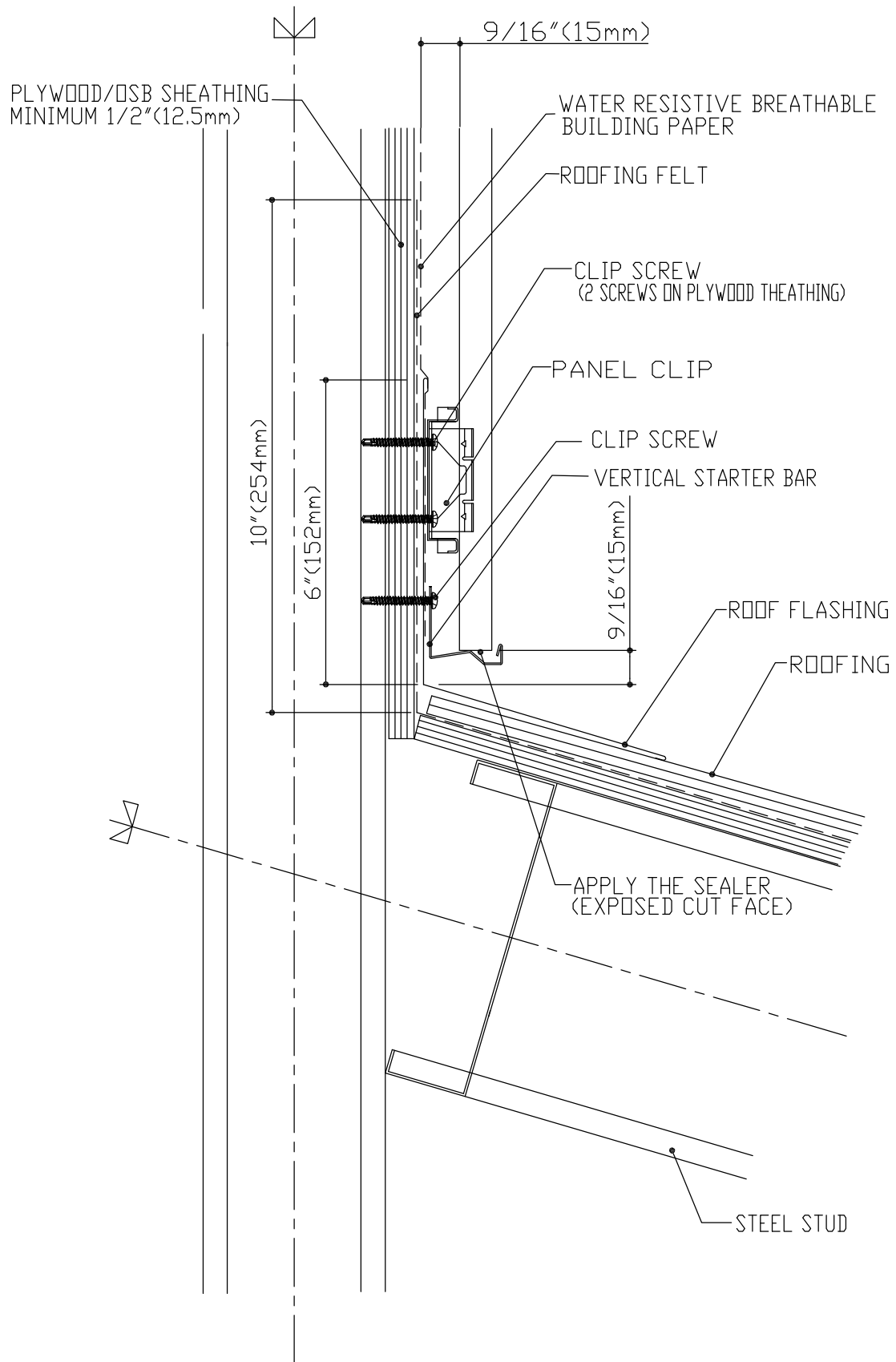
CERACLAD SIDING PANEL(16mm)	INSTALLATION DETAIL	10FT CAULKING JOINT PANEL	SVC-WS3
VERTICAL 9/16"(15mm)	WINDOW AND DOOR HEAD AND SILL(CAULKING)(STEEL STUD)		OCT 28 2008

## VERIFY WINDOW DIMENSION



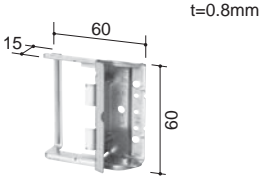
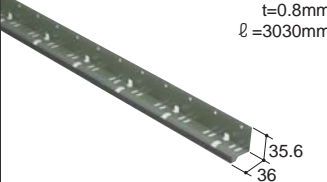


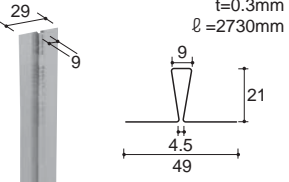
CERACLAD SIDING PANEL(16mm)	INSTALLATION DETAIL	10FT CAULKING JOINT PANEL	SVC-HL
VERTICAL 9/16"(15mm)	ROOF TO WALL (STEEL STUD)		MAY 30 2008

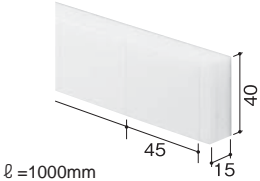




## 7. Vertical Application (Steel Structure) Instructions and Details

### <1> Siding Panel Installation Accessories

Clips for Rain Screen Exterior Siding System		
	Panel Clip	Starter Bar
Product No	B1015	B10157HG
Product		
Minimum Quantity to Order	30 pieces/bag 10 bags/box	10 pieces/box
Material	Galvanized Steel	Galvanized Steel

	Clip Screw	Stainless Screw	Metal Caulking Joiner
Product No	Purchase locally	Purchase locally	B272
Product	#8(4.2mm)×1-3/8"(35mm)	establish the proper profile for a sealant joint.  #8(4.2mm)×2-9/16"(65mm)	
Minimum Quantity to Order			15 pieces/box
Material	Stainless Steel	Stainless Steel	Alloy Plated Steel

	Spacer Block	Repair Putty	Repair Paint
Product No	RY82S15	B4901	
Product			
Minimum Quantity to Order	22 blocks per strip 6 strips per box	1 piece	1 set/box
Material	Polypropylene		