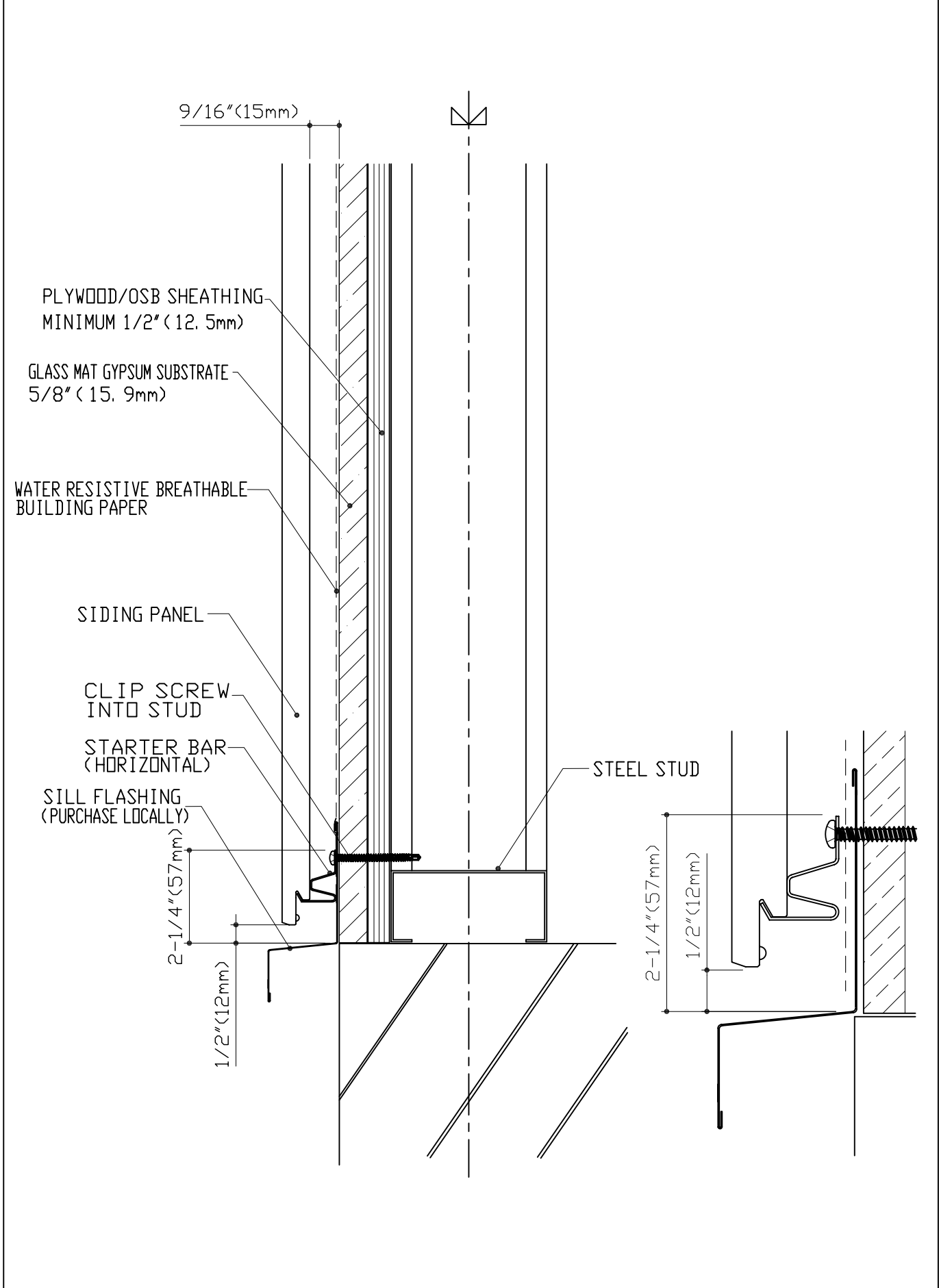
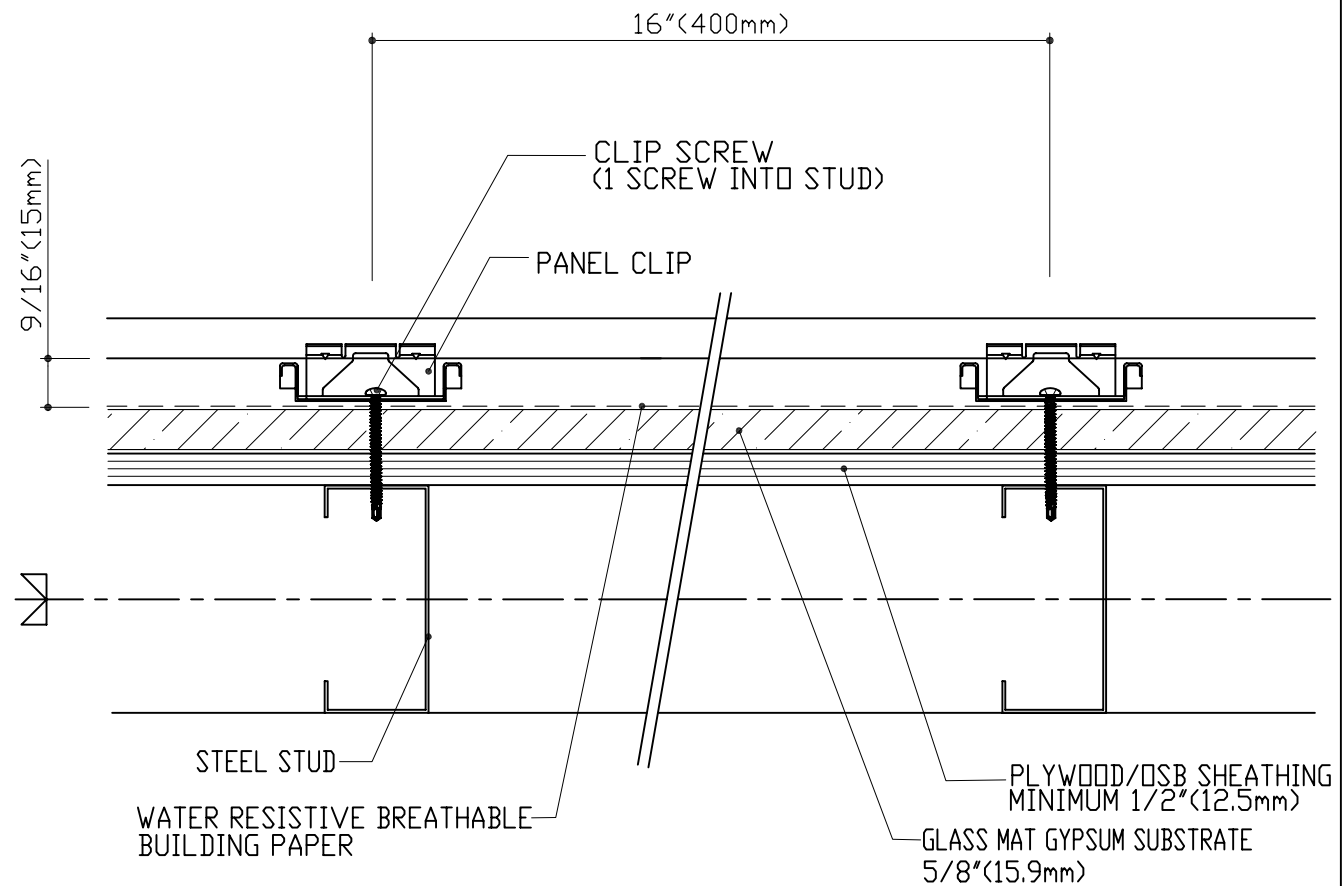
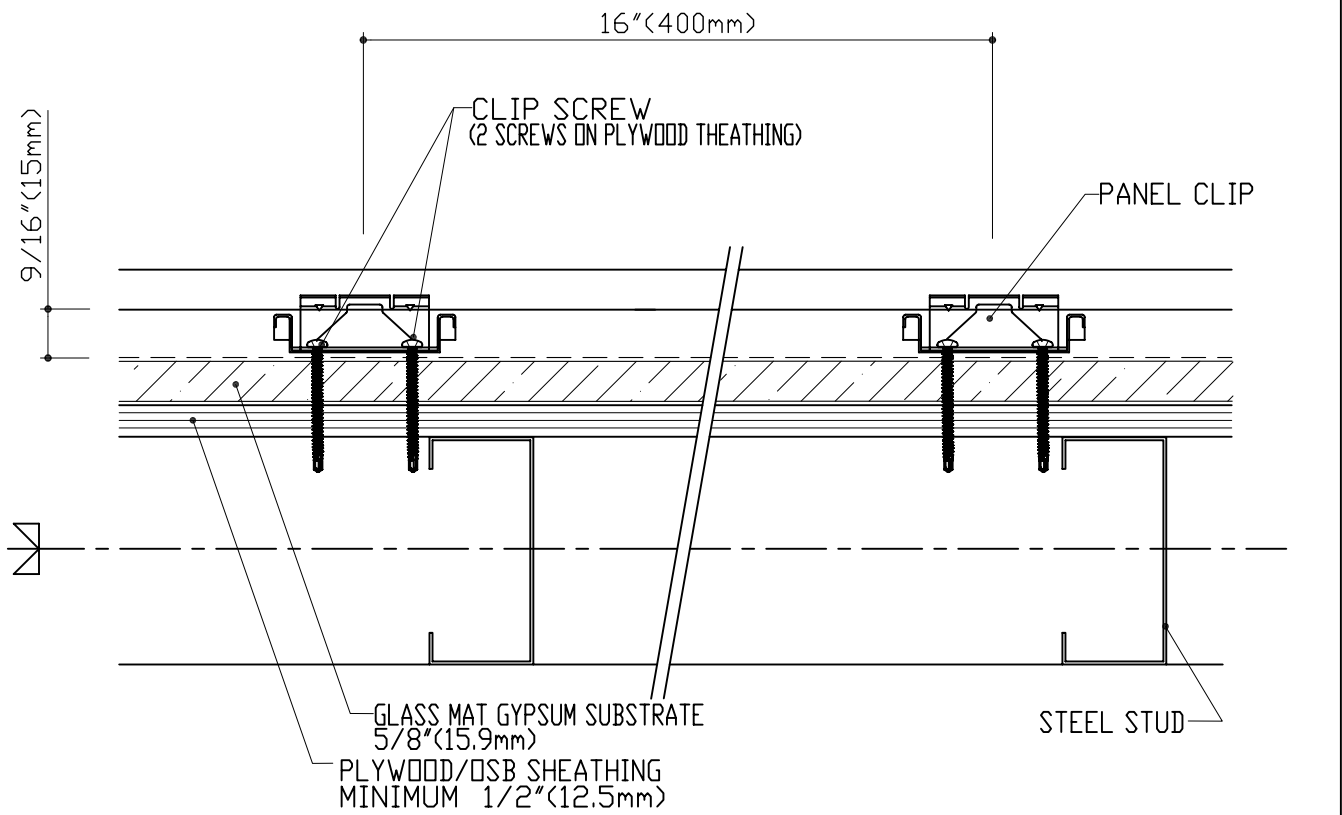


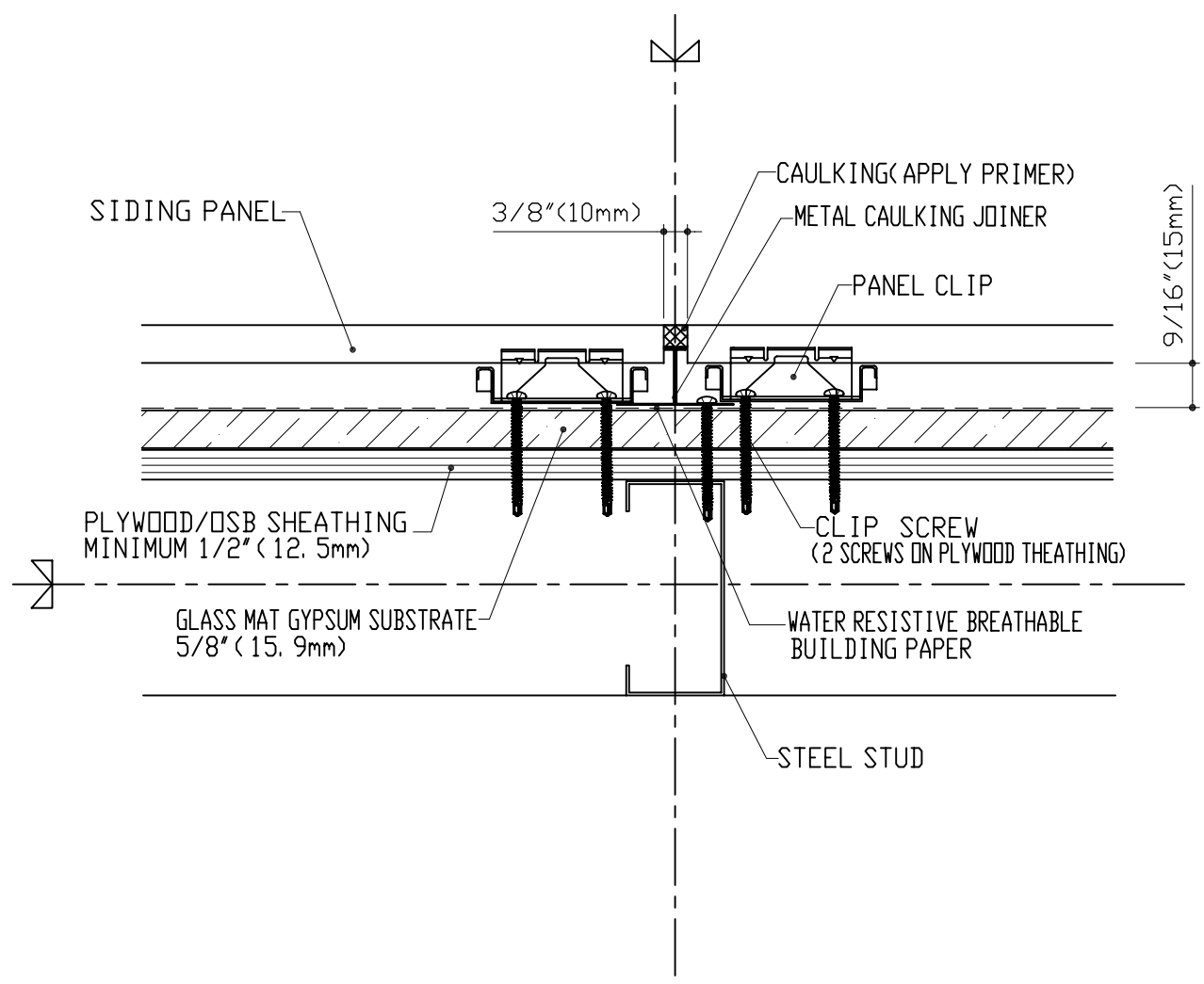
|                              |                          |                           |             |
|------------------------------|--------------------------|---------------------------|-------------|
| CERACLAD SIDING PANEL (16mm) | INSTALLATION DETAIL      | 10FT CAYLKING JOINT PANEL | SDHC - G1   |
| HORIZONTAL 9/16" (15mm)      | STARTER BAR (STEEL STUD) |                           | MAY 30 2008 |



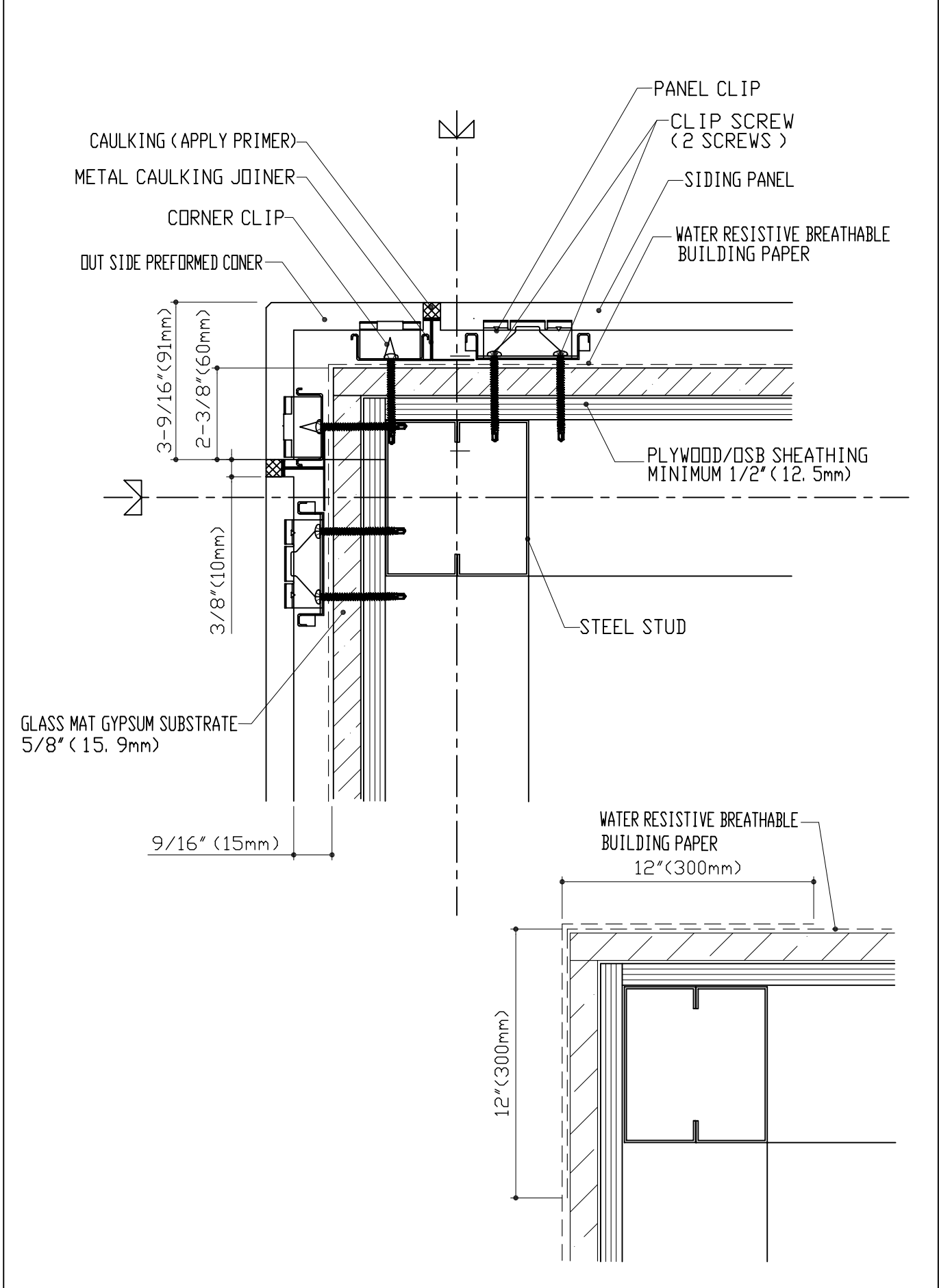
|                             |  |                           |             |
|-----------------------------|--|---------------------------|-------------|
| CERACLAD SIDING PANEL(16mm) | INSTALLATION DETAIL                                | 10FT CAULKING JOINT PANEL | SDHC-HJ2    |
| HORIZONTAL 9/16"(15mm)      | HORIZONTAL JOINT (HORIZONTAL SECTION) (STEEL STUD) |                           | MAY 30 2008 |



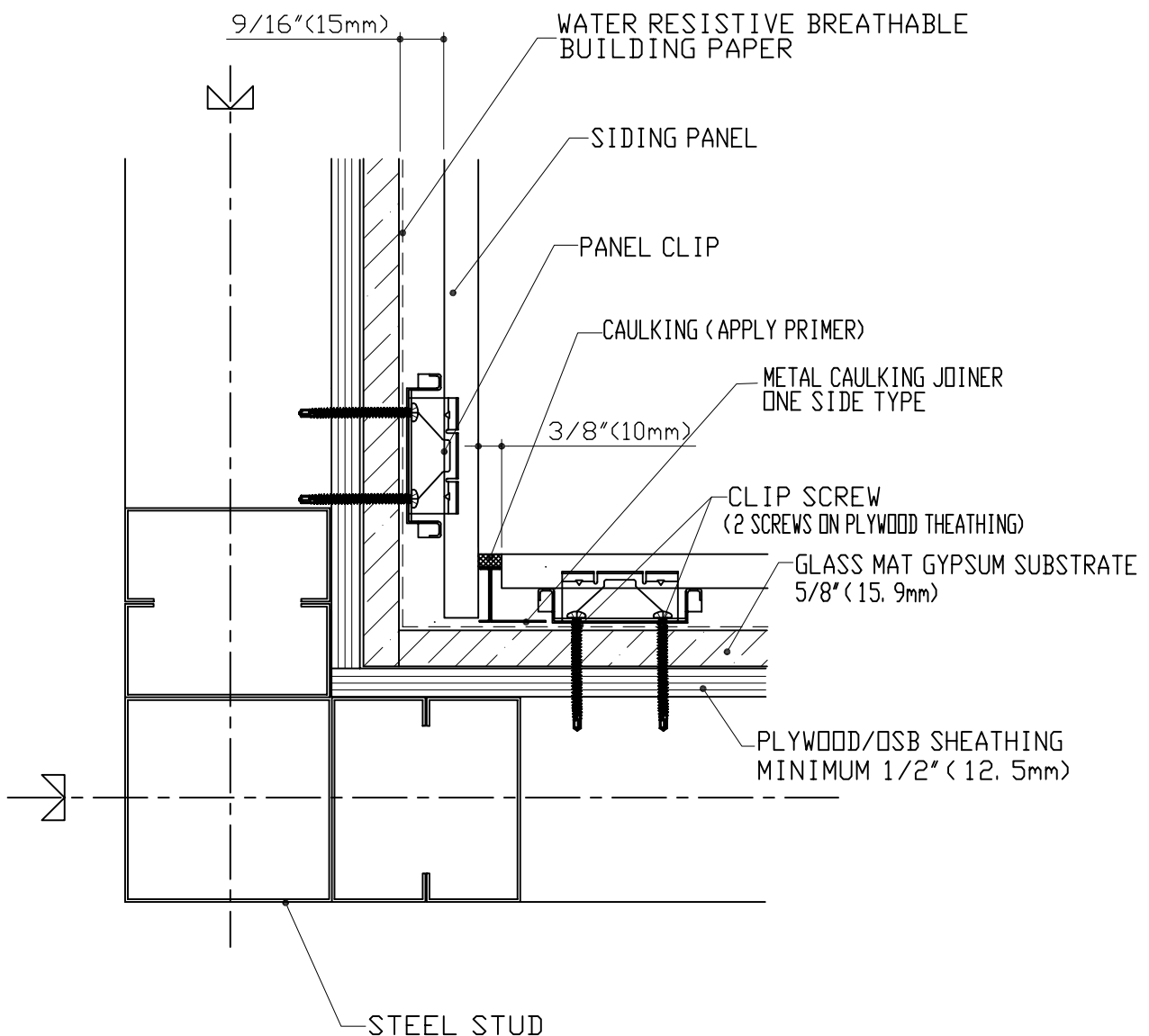
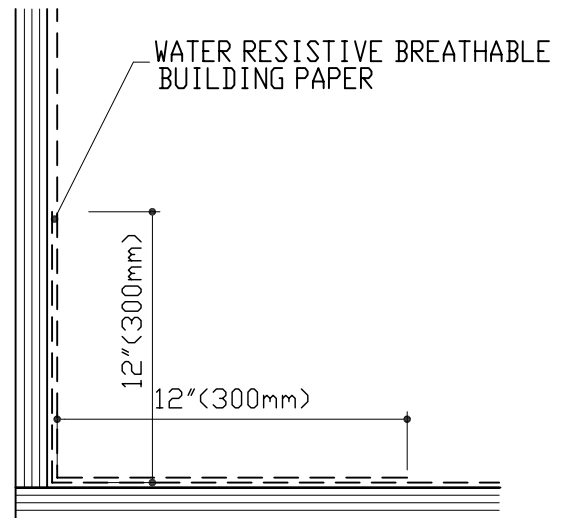
|                              |                                   |                           |             |
|------------------------------|-----------------------------------|---------------------------|-------------|
| CERACLAD SIDING PANEL (16mm) | INSTALLATION DETAIL               | 10FT CAULKING JOINT PANEL | SDHC-VJ1    |
| HORIZONTAL 9/16" (15mm)      | PANEL CAULKING JOINT (STEEL STUD) |                           | MAY 30 2008 |



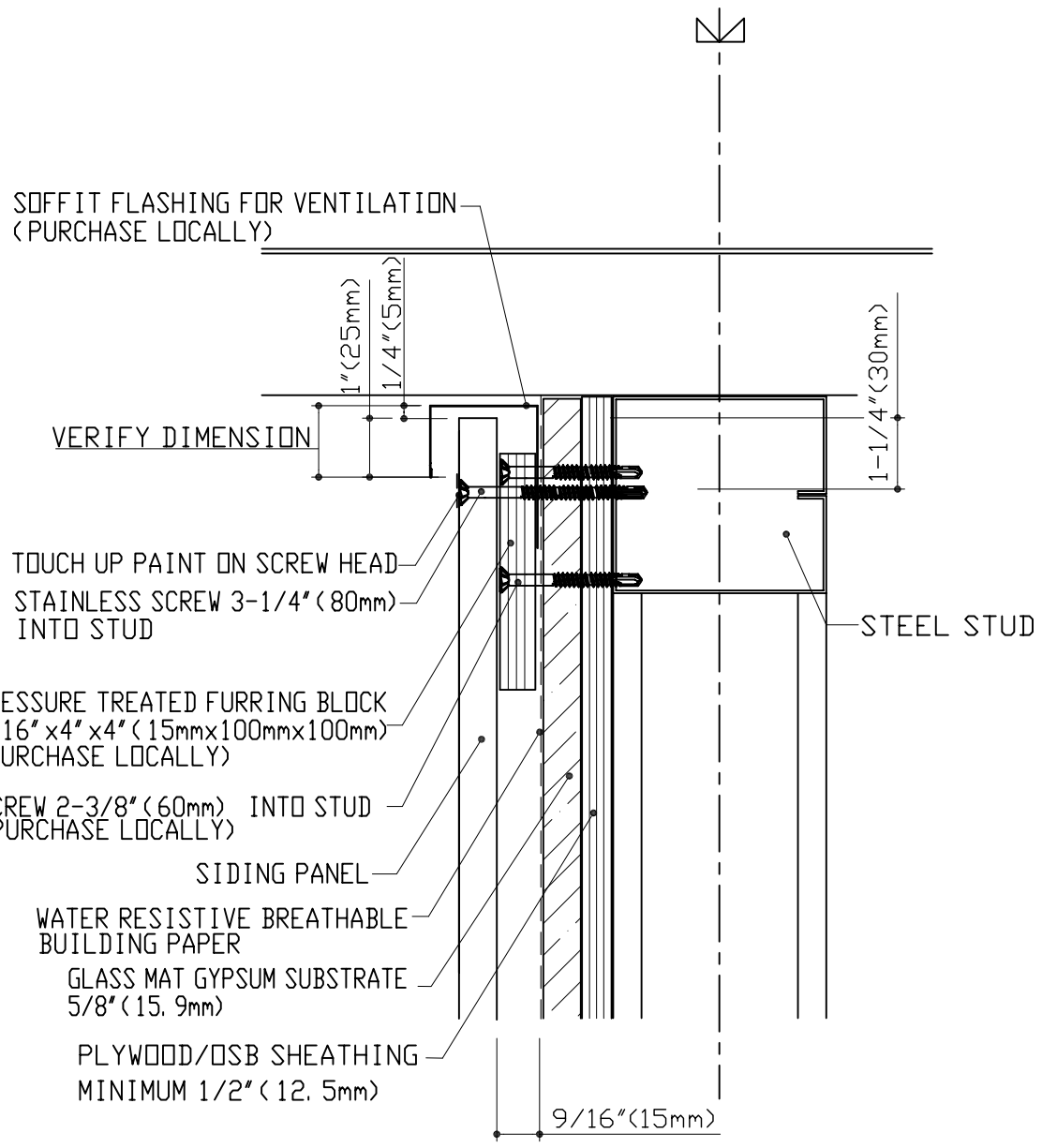
|                              |  |                           |             |
|------------------------------|--|---------------------------|-------------|
| CERACLAD SIDING PANEL (16mm) | INSTALLATION DETAIL                    | 10FT CAULKING JOINT PANEL | SDHC - 01   |
| HORIZONTAL 9/16" (15mm)      | OUT SIDE PREFORMED CORNER (STEEL STUD) |                           | MAY 30 2008 |



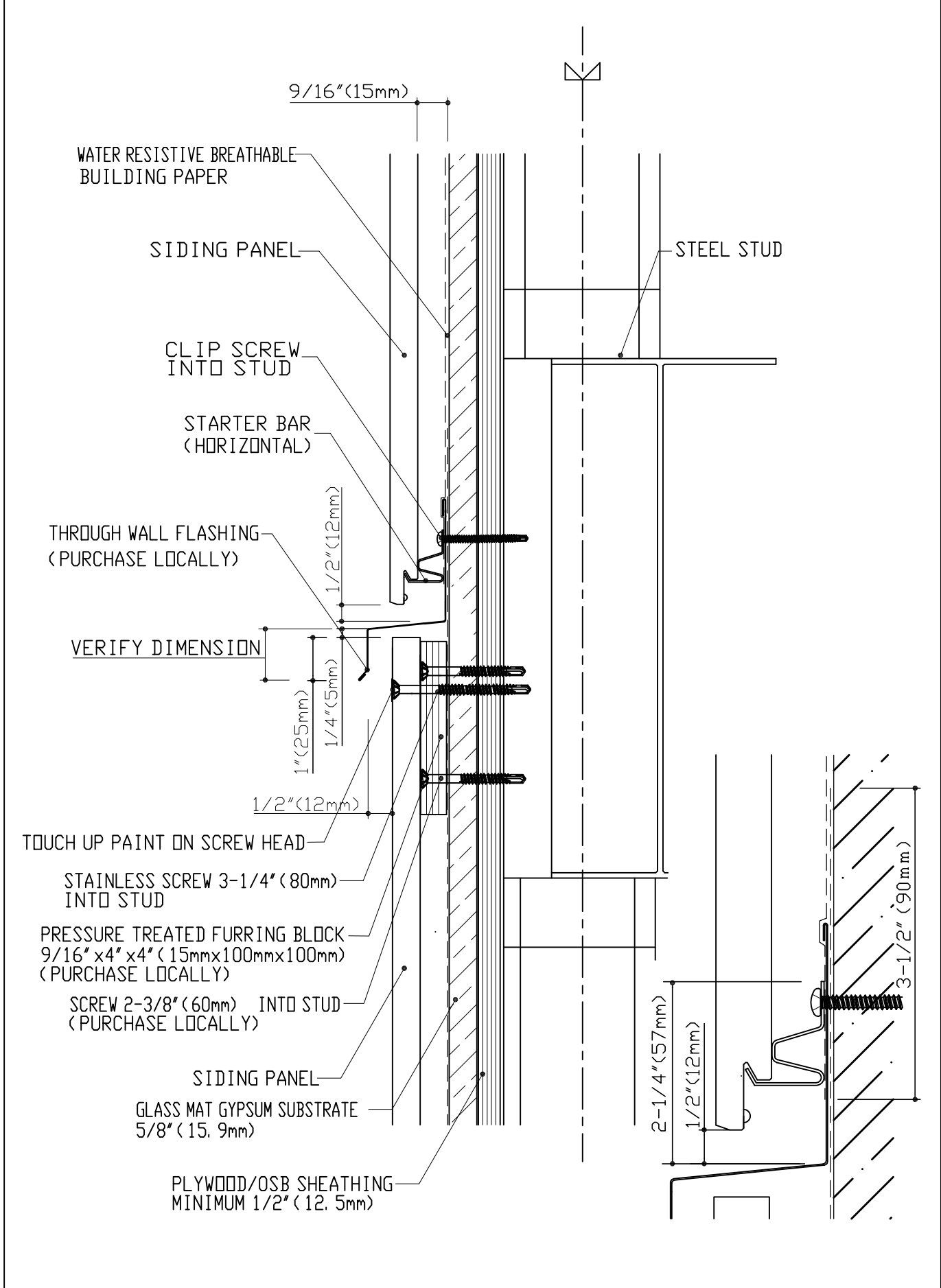
|                              |                            |                           |             |
|------------------------------|----------------------------|---------------------------|-------------|
| CERACLAD SIDING PANEL (16mm) | INSTALLATION DETAIL        | 10FT CAULKING JOINT PANEL | SDHC - I 1  |
| HORIZONTAL 9/16" (15mm)      | INSIDE CORNER (STEEL STUD) |                           | MAY 30 2008 |



|                              |                          |                           |             |
|------------------------------|--------------------------|---------------------------|-------------|
| CERACLAD SIDING PANEL (16mm) | INSTALLATION DETAIL      | 10FT CAULKING JOINT PANEL | SDHC-S1     |
| HORIZONTAL 9/16" (15mm)      | UNDER EAVES (STEEL STUD) |                           | MAY 30 2008 |

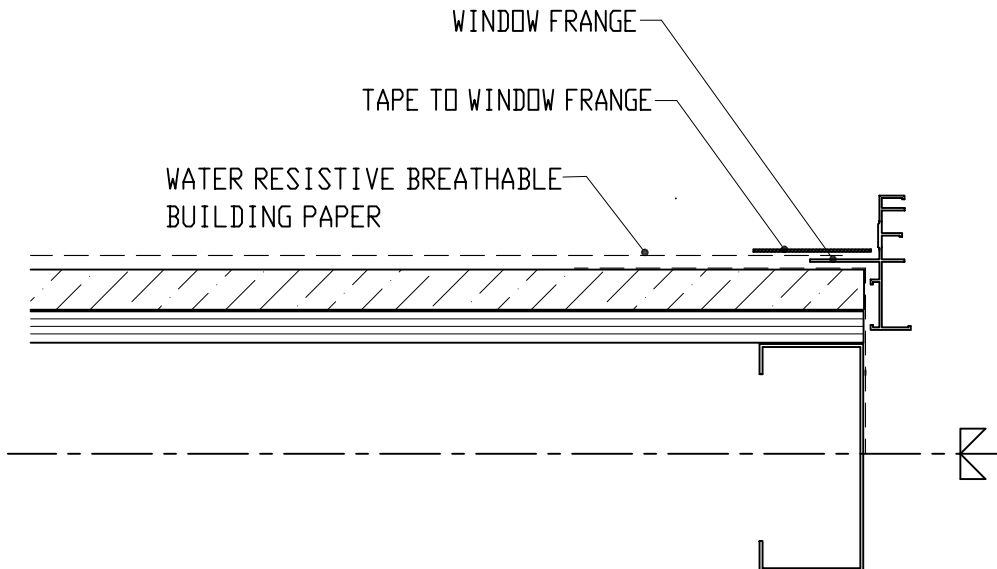
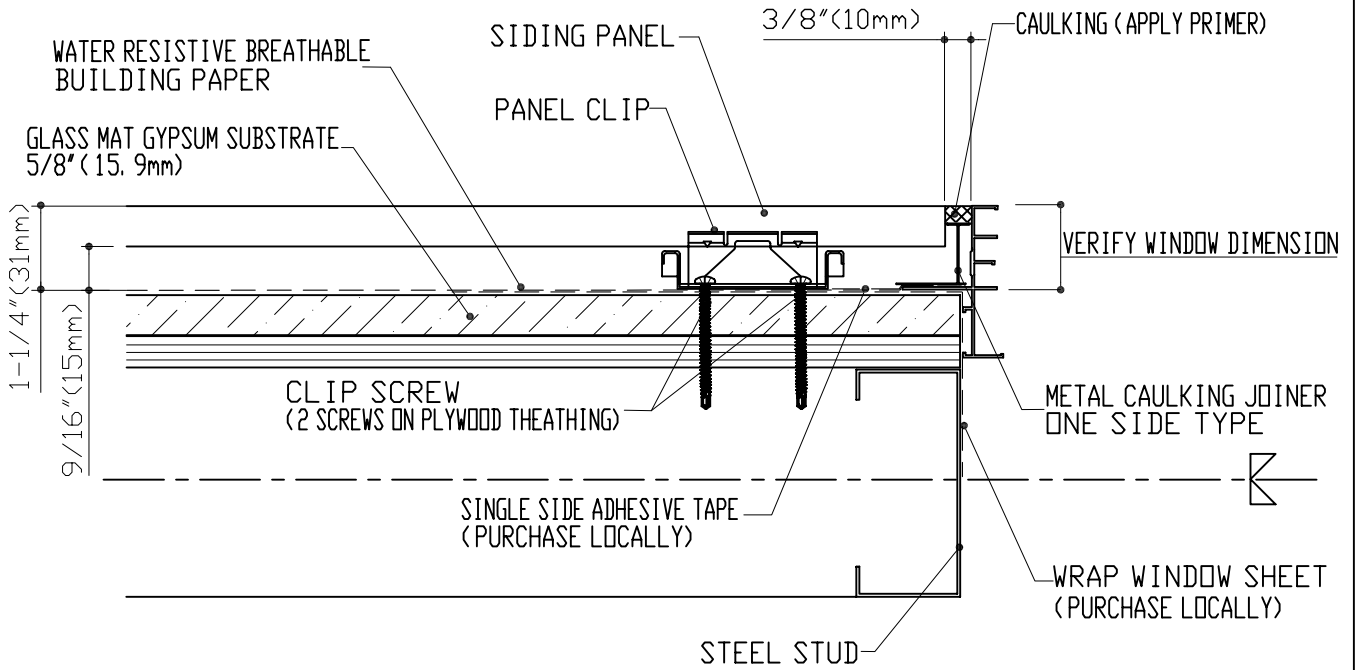


|                              |                                    |                           |             |
|------------------------------|------------------------------------|---------------------------|-------------|
| CERACLAD SIDING PANEL (16mm) | INSTALLATION DETAIL                | 10FT CAULKING JOINT PANEL | SDHC-M2     |
| HORIZONTAL 9/16" (15mm)      | THROUGH WALL FLASHING (STEEL STUD) |                           | DEC 18 2008 |



|                              |  |                           |             |
|------------------------------|--|---------------------------|-------------|
| CERACLAD SIDING PANEL (16mm) | INSTALLATION DETAIL                          | 10FT CAULKING JOINT PANEL | SDHC - WJ3  |
| HORIZONTAL 9/16" (15mm)      | WINDOW AND DOOR JAMB (CAULKING) (STEEL STUD) |                           | MAY 30 2008 |

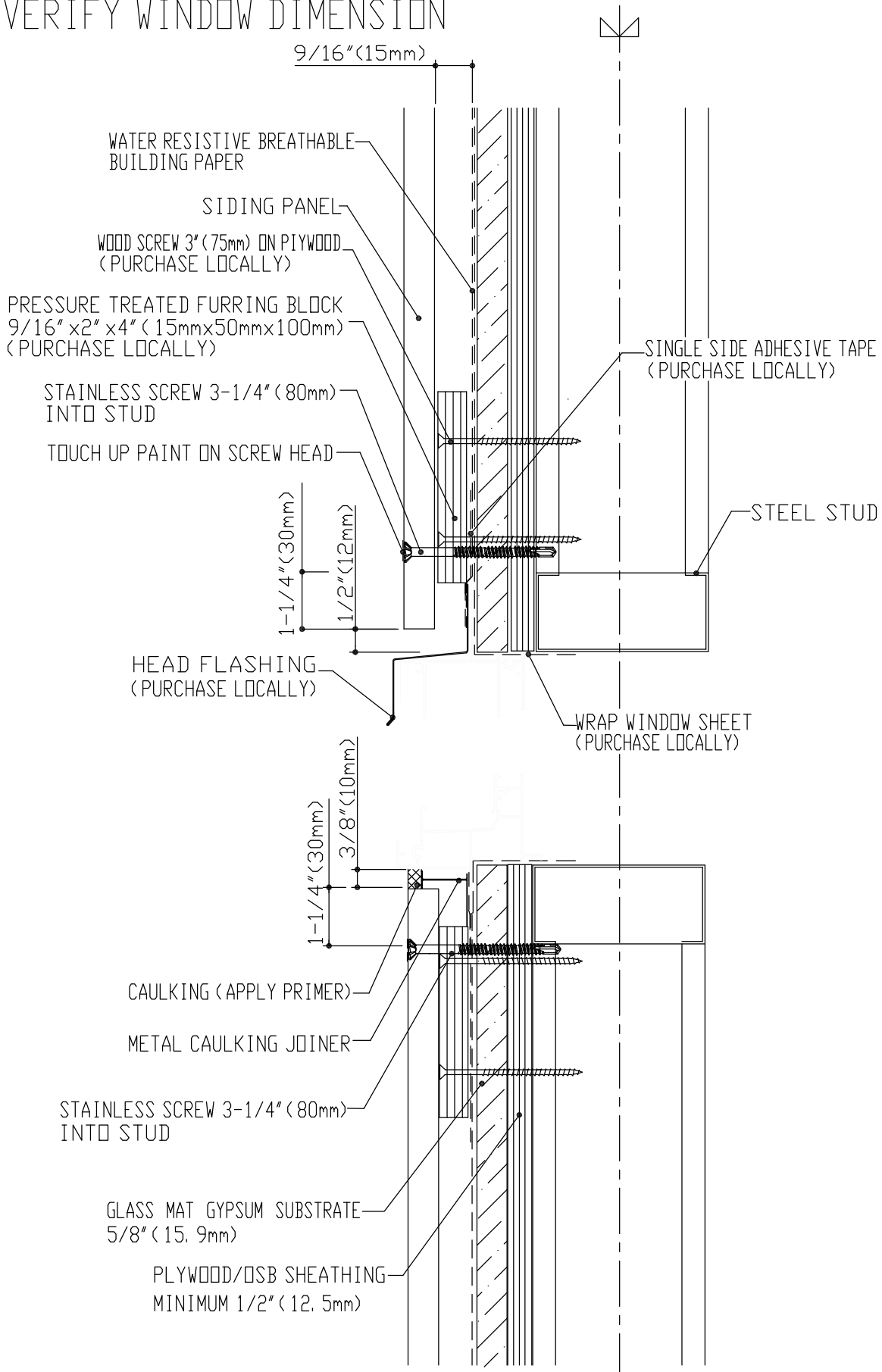
# VERIFY WINDOW DIMENSION



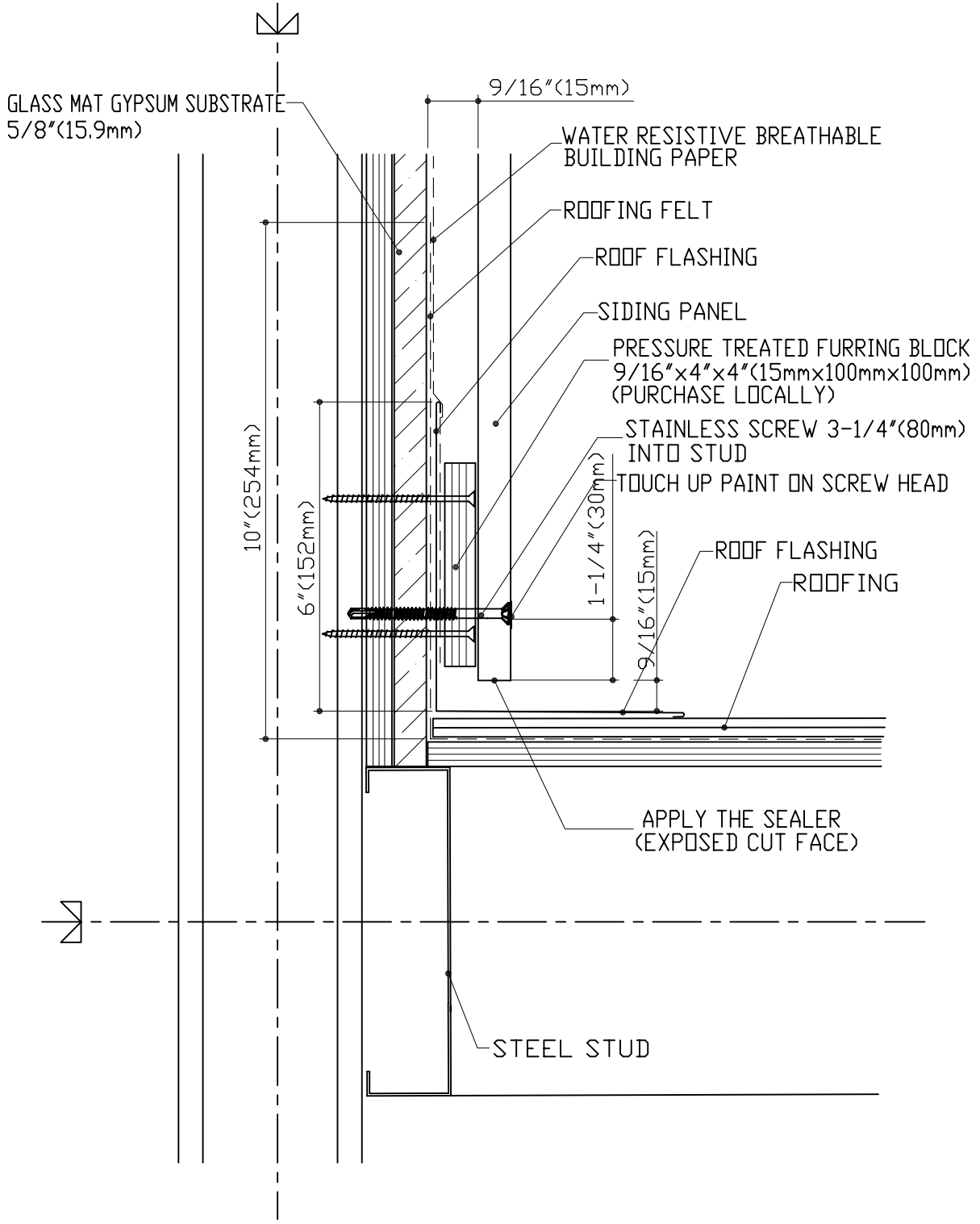


|                              |   |                           |             |
|------------------------------|---|---------------------------|-------------|
| CERACLAD SIDING PANEL (16mm) | INSTALLATION DETAIL                                   | 10FT CAULKING JOINT PANEL | SDHC - WS3  |
| HORIZONTAL 9/16" (15mm)      | WINDOW AND DOOR HEAD AND SILL (CAULKING) (STEEL STUD) |                           | MAY 30 2008 |

## VERIFY WINDOW DIMENSION

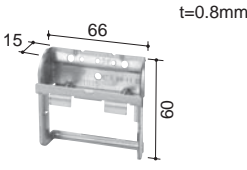
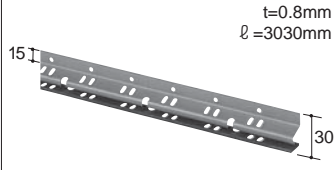
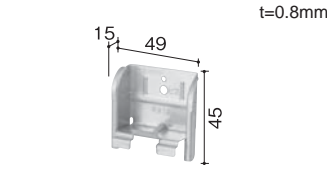


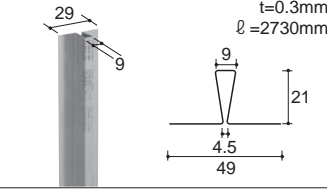
|                              |                           |                           |             |
|------------------------------|---------------------------|---------------------------|-------------|
| CERACLAD SIDING PANEL (16mm) | INSTALLATION DETAIL       | 10FT CAULKING JOINT PANEL | SDHC-SL     |
| HORIZONTAL 9/16"(15mm)       | ROOF TO WALL (STEEL STUD) |                           | MAY 30 2008 |

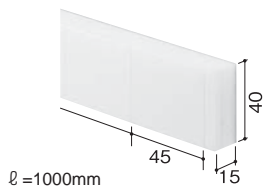




## 9. Horizontal Application (Steel Structure / Glass Mat Gypsum) Details

### <1> Siding Panel Installation Accessories

|                           | Clips for Rain Screen Exterior Siding System                                      |  |   |
|---------------------------|---|--|---|
|                           | Panel Clip  | Starter Bar  | Corner Clip   |
| Product No                | B1015   | B10152J  | RE10153   |
| Product                   |  |  |  |
| Minimum Quantity to Order | 30 pieces/bag   | 10 pieces/box  | 20 pieces/bag   |
|                           | 10 bags/box   |  | 10 bags/large box   |
| Material                  | Galvanized Steel  | Galvanized Steel   | Galvanized Steel  |

|                           | Clip Screw             | Stainless Screw   | Metal Caulking Joiner  |
|---------------------------|------------------------|---|--|
| Product No                | Purchase locally       | Purchase locally  | B277   |
| Product                   | #8(4.2mm)×2-1/4"(55mm) | Please cover nail heads with touch-up paint after installation.<br><br>#8(4.2mm)×3-1/4"(80mm) |  |
| Minimum Quantity to Order |                        |   | 15 pieces/box  |
| Material                  | Stainless Steel        | Stainless Steel   | Alloy Plated Steel   |

|                           | Spacer Block  | Repair Putty  | Repair Paint  |
|---------------------------|---|---|---|
| Product No                | RY82S15   | B4901   |   |
| Product                   |  |  |  |
| Minimum Quantity to Order | 22 blocks per strip   | 1 piece   | 1 set/box   |
|                           | 6 strips per box  |   |   |
| Material                  | Polypropylene   |   |   |