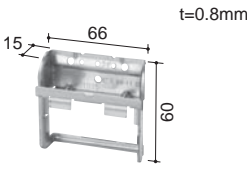
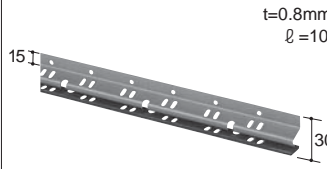
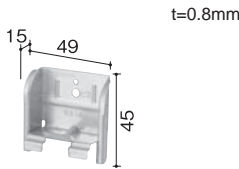
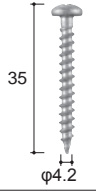
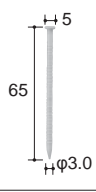
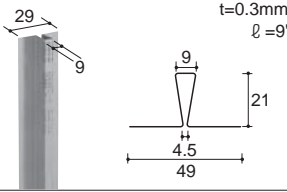
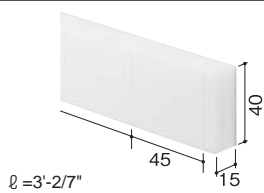




## 4. Horizontal Application (Wood Structure) Instructions and Details

### <1> Siding Panel Installation Accessories

	Panel Clip	Starter Bar	Corner Clip
Product No	B1015	B10152J	RE10153
Product			
Minimum Quantity to Order	30 pieces/bag	10 pieces/box	20 pieces/bag
	10 bags/box		10 bags/large box
Material	Galvanized Steel	Galvanized Steel	Galvanized Steel

	Clip Screw	Stainless Steel Ring Nail	Metal Caulking Joiner
Product No	B88352	B8765R400	B277
Product			
Minimum Quantity to Order	500 pieces/box	40 pieces/bag	15 pieces/box
Material	Stainless Steel	Stainless Steel	Alloy Plated Steel

	Spacer Block	Repair Putty	Touch-up Paint
Product No	RY82S15	B4901	
Product			
Minimum Quantity to Order	22 blocks per strip	1 piece	1 set/box
	6 strips per box		
Material	Polypropylene		