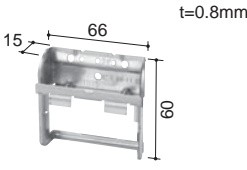
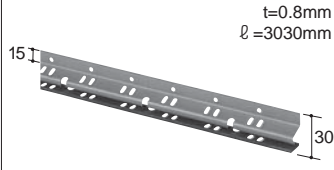
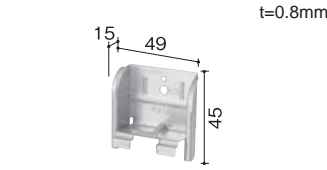
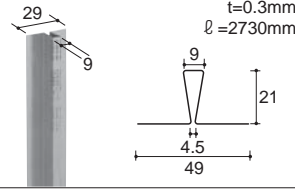
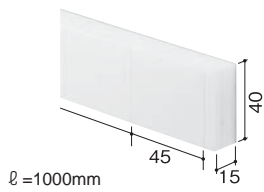




5. Horizontal Application (Steel Structure) Instructions and Details

<1> Siding Panel Installation Accessories

	Clips for Rain Screen Exterior Siding System		
	Panel Clip	Starter Bar	Corner Clip
Product No	B1015	B10152J	RE10153
Product			
Minimum Quantity to Order	30 pieces/bag	10 pieces/box	20 pieces/bag
	10 bags/box		10 bags/large box
Material	Galvanized Steel	Galvanized Steel	Galvanized Steel

	Clip Screw	Stainless Screw	Metal Caulking Joiner
Product No	Purchase locally	Purchase locally	B277
Product	#8(4.2mm)×1-3/8"(35mm)	Please cover nail heads with touch-up paint after installation. #8(4.2mm)×2-9/16"(65mm)	
Minimum Quantity to Order			15 pieces/box
Material	Stainless Steel	Stainless Steel	Alloy Plated Steel

	Spacer Block	Repair Putty	Repair Paint
Product No	RY82S15	B4901	
Product			
Minimum Quantity to Order	22 blocks per strip	1 piece	1 set/box
	6 strips per box		
Material	Polypropylene		